

**VI TELEFILTER****Filter Specification****TFS 208 - Page 1 / 5****Measurement condition**

Ambient temperature: 23 °C  
 Input power level: 0 dBm  
 Terminating impedances: 50 Ω

**Characteristics**

Remark:

Reference level for the relative attenuation  $a_{rel}$  of the TFS 208 is the maximum attenuation in the passband. The maximum attenuation in the pass band is defined as the insertion loss  $a_e$ . The nominal frequency  $f_N$  is fixed at 208 MHz without tolerance or limit. The values of relative attenuation  $a_{rel}$  are guaranteed in the whole operating temperature range. The frequency shift of the filter in the operating temperature range is included in the production tolerance scheme.

<b>D a t a</b>		<b>typ. value</b>	<b>tolerance / limit</b>
<b>Insertion loss</b> (Reference level)	$a_e$	-	1,5 ... 3,5 dB
<b>Nominal frequency</b>	$f_N$	-	208 MHz
<b>1 dB band width</b>	BW	-	800 kHz
<b>Relative attenuation</b>	$a_{rel}$		
	1 MHz... $f_N$ - 28 MHz	-	min. 38 dB
	$f_N$ - 28 MHz... $f_N$ - 14 MHz	-	min. 15 dB
	$f_N$ - 400 kHz ... $f_N$ + 400 kHz	-	max. 1 dB
	$f_N$ + 14 MHz... $f_N$ + 28 MHz	-	min. 5 dB
	$f_N$ + 28 MHz... $f_N$ + 242 MHz	-	min. 12 dB
<b>VSWR</b>			
	$f_N$ - 400 kHz ... $f_N$ + 400 kHz	-	max 2 : 1
<b>Absolute group delay</b>	GD		
	$f_N$ - 400 kHz ... $f_N$ + 400 kHz	-	max. 300 ns
<b>Group delay ripple</b>	GDD *)		
	$f_N$ - 400 kHz ... $f_N$ + 400 kHz	-	max. 30 ns
<b>Intermodulation</b>	**)		
	$IP_3$	54 dB	min. 45 dB
<b>Input power level</b>			max 10 dBm
<b>Temperature coefficient of frequency</b>	$TC_f$ ***)	- 36 ppm/K	-
<b>Operating temperature range</b>			- 10 °C ... + 85 °C

\*) measured with smoothing; smoothing aperture  $\leq 50$  kHz\*\*) modulation signals:  $f_N$  and  $f_N + 14$  MHz, each of 10 dBm; measured signal:  $f_N - 14$  MHz\*\*\*)  $\Delta f(\text{Hz}) = TC_f(\text{ppm/K}) \times (\Delta T) \times f_{TO}(\text{MHz})$ **generated:** \_\_\_\_\_**checked / approved:** \_\_\_\_\_

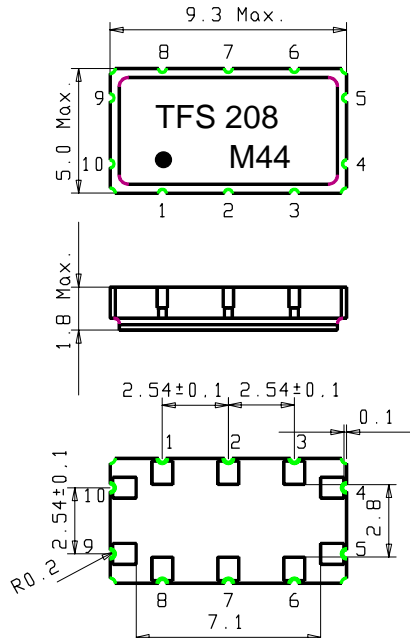
**VI TELEFILTER**  
 Potsdamer Straße 18  
 D 14 513 TELTOW / Germany  
 Tel: (+49) 3328 4784-0 / Fax: (+49) 3328 4784-30  
 E-Mail: tft@telefilter.com

**Vectron International, Inc.**  
 267 Lowell Road  
 Hudson, NH 03051 / USA  
 Tel: (603) 598-0070 Fax: (603) 598-0075  
 E-Mail: vti@vtinh.com

VI TELEFILTER reserves the right to make changes to the product(s) and/or information contained herein without notice. No liability is assumed as a result of their use or application. No rights under any patent accompany the sale of any such product(s) or information.

**Construction and pin connection**

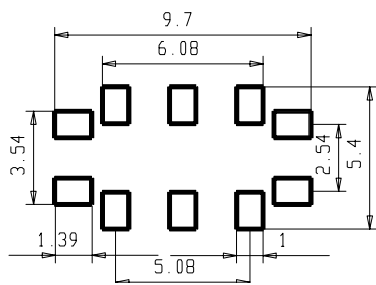
(All dimensions in mm)



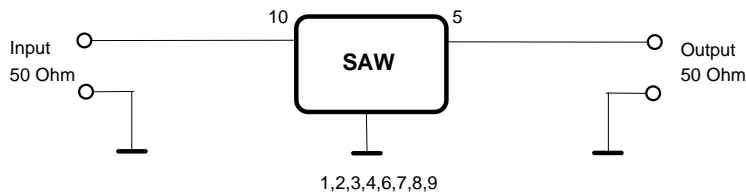
- 1 Ground
- 2 Ground
- 3 Ground
- 4 Ground
- 5 Output
- 6 Ground
- 7 Ground
- 8 Ground
- 9 Ground
- 10 Input

Date code: Year+week  
 K 1998  
 L 1999  
 M 2000  
 ...

**Recommended land dimensions**



**50 Ω test circuit**



**VI TELEFILTER**  
 Potsdamer Straße 18  
 D 14 513 TELTOW / Germany  
 Tel: (+49) 3328 4784-0 / Fax: (+49) 3328 4784-30  
 E-Mail: tft@telefilter.com

**Vectron International, Inc.**  
 267 Lowell Road  
 Hudson, NH 03051 / USA  
 Tel: (603) 598-0070 Fax: (603) 598-0075  
 E-Mail: vti@vtinh.com

**Stability characteristics**

After the following tests the filter shall meet the whole specification:

1. Shock: 500g, 18 ms, half sine wave, 3 shocks each plane;  
DIN IEC 68 T2 - 27
2. Vibration: 10 Hz to 500 Hz, 0,35 mm or 5g respectively, 1 octave per min, 10 cycles per plan, 3 plans;  
DIN IEC 68 T2 - 6
3. Damp heat: 25 °C to 55°C / 95% r.H. / 10 cycles  
(cycle) DIN IEC 68 - 2 – 30 Db
4. Resistance to solder heat (reflow): max. 2 times reflow process;  
for temperature conditions refer to the attached "Air reflow temperature conditions" on page 4;

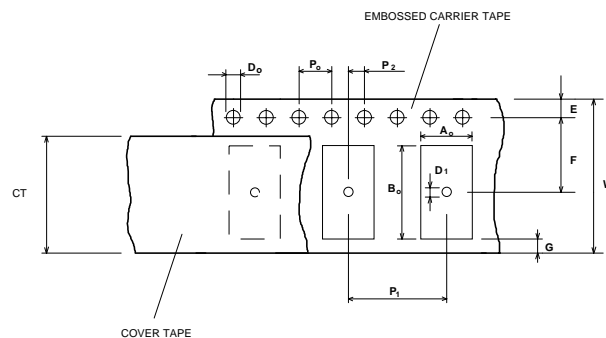
**Packing**

Tape & Reel: IEC 286 - 3, with exception of value for N and minimum bending radius;  
tape type II, embossed carrier tape with top cover tape on the upper side;

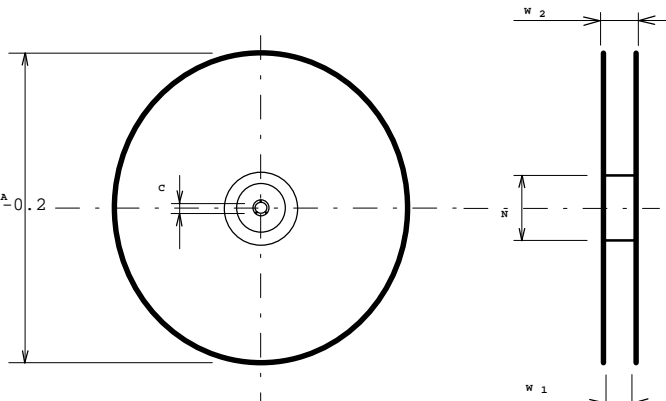
max. pieces of filters per reel: 3000  
Reel of empty components at start: min 300 mm  
Reel of empty components at start including leader: min 500 mm  
Trailer: min 300 mm

**Tape (all dimensions in mm)**

W	: 16	± 0,3
Po	: 4	± 0,1
Do	: 1,5	+ 0,1
E	: 1,75	± 0,1
F	: 7,5	± 0,1
G (min)	: 0,60	
P2	: 2	± 0,1
P1	: 8	± 0,1
D1(min)	: 1,5	
Ao	: 5,30	± 0,2
Bo	: 9,70	± 0,2
CT	: 13,5	± 0,1

**Reel (all dimensions in mm):**

A	:	330
W1	:	16,40 +2,0
W2 (max)	:	22,4
N (min)	:	50
C	:	13,0 ± 0,5/0,2



The minimum bending radius is 45 mm. The mounting surface of the filters faces the bottom side of the embossed carrier tape. The marking of the filters is able to read if the view is directed on the upper side of the carrier tape with the sprocket holes on the right side of the tape.

**VI TELEFILTER**

Potsdamer Straße 18  
D 14 513 TELTOW / Germany  
Tel: (+49) 3328 4784-0 / Fax: (+49) 3328 4784-30  
E-Mail: tft@telefilter.com

**Vectron International, Inc.**

267 Lowell Road  
Hudson, NH 03051 / USA  
Tel: (603) 598-0070 Fax: (603) 598-0075  
E-Mail: vti@vtinh.com

**Air reflow temperature conditions**

## 1st and 2nd air reflow profile

<b>Name:</b>	pre-heating periods	main-heating periods	peak temperature
<b>Temperature:</b>	150 °C - 170 °C	over 200 °C	255 °C ± 5 °C
<b>Time:</b>	60 sec. - 90 sec.	20 sec. - 25 sec.	

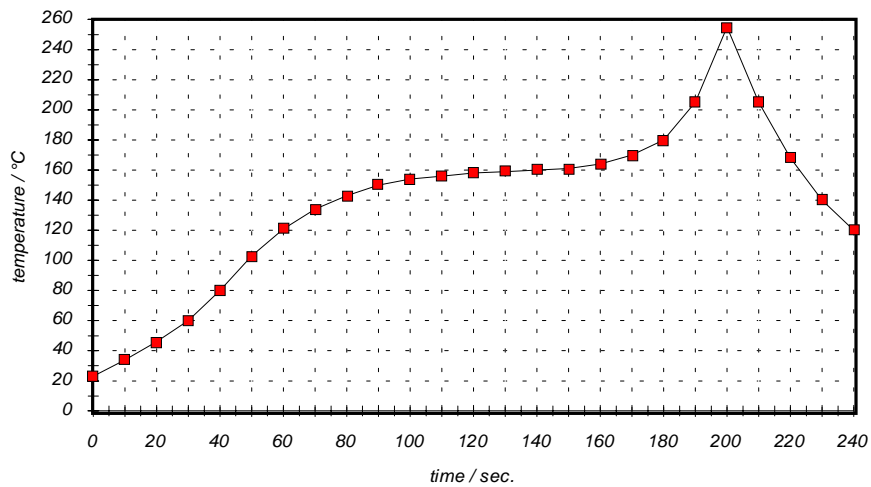
**Chip-mount air reflow profile**

Table for temperature vs. time during the air reflow process

Tolerance of temperatures: ± 5 °C

time / sec.	temperature / °C	time / sec.	temperature / °C
0	23	140	160
10	34	150	161
20	46	160	164
30	60	170	170
40	80	180	180
50	103	190	205
60	121	195	230
70	134	200	255
80	143	205	230
90	150	210	205
100	154	215	180
110	156	220	165
120	158	230	140
130	159	240	120

---

**VI TELEFILTER****Filter Specification****TFS 208 - Page 5 / 5**

---

**History**

<b>Version</b>	<b>Reason of Changes</b>	<b>Name</b>	<b>Date</b>
2.0	- labeling modified	Steiner	01.11.2000

---

**VI TELEFILTER**  
**Potsdamer Straße 18**  
**D 14 513 TELTOW / Germany**  
**Tel: (+49) 3328 4784-0 / Fax: (+49) 3328 4784-30**  
**E-Mail: tft@telefilter.com**

---

**Vectron International, Inc.**  
**267 Lowell Road**  
**Hudson, NH 03051 / USA**  
**Tel: (603) 598-0070 Fax: (603) 598-0075**  
**E-Mail: vti@vtinh.com**

---

VI TELEFILTER reserves the right to make changes to the product(s) and/or information contained herein without notice. No liability is assumed as a result of their use or application. No rights under any patent accompany the sale of any such product(s) or information.