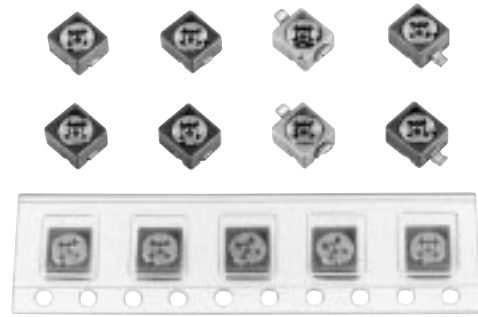


Chip Type Adjustable(pre-set) Ceramic Capacitors

Series: **J**



Series J are miniature and thin type surface mounting devices, being encased in the thermosetting plastic case.

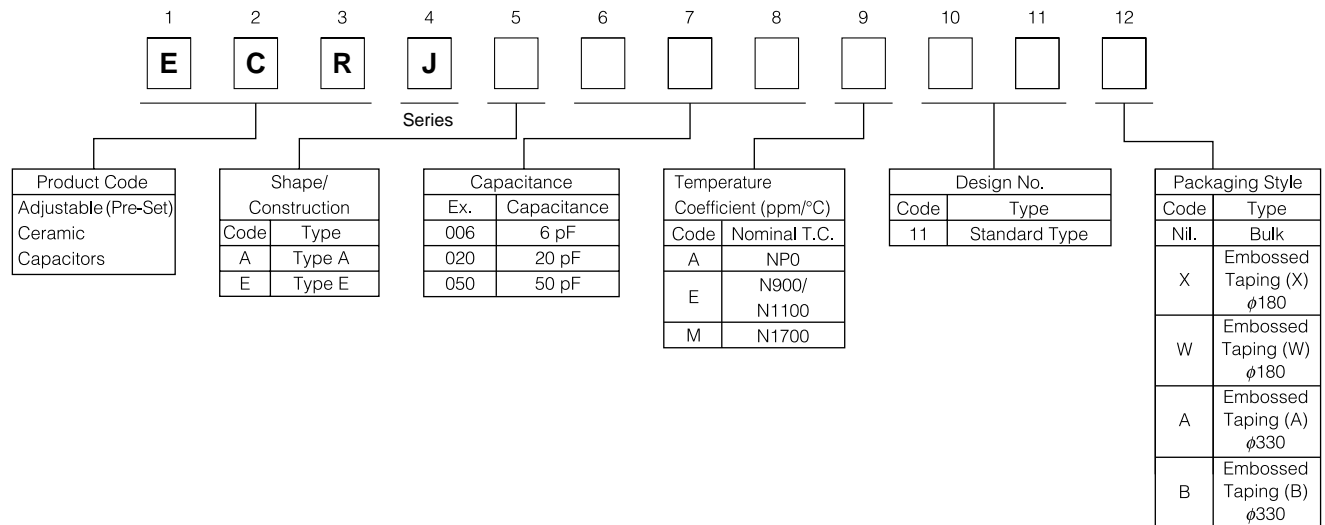
■ Features

- Miniature and thin type SMD: 4.0 × 4.5 × 2.7 mm
- Embossed taping types are available for automated machines
- Easy reading of capacitance by colored case

■ Recommended Applications

- Hybrid IC and micromodule
- Portable radio and portable cassette tape player
- VTR camera
- Paging system

■ Explanation of Part Numbers



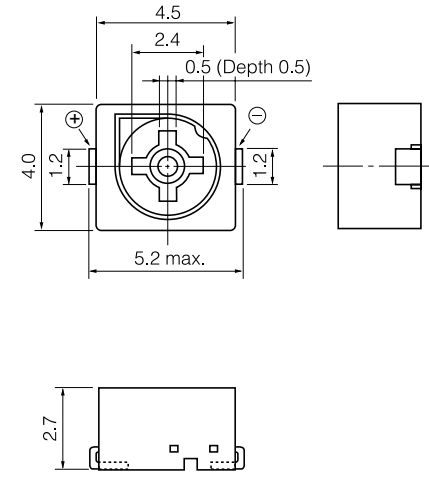
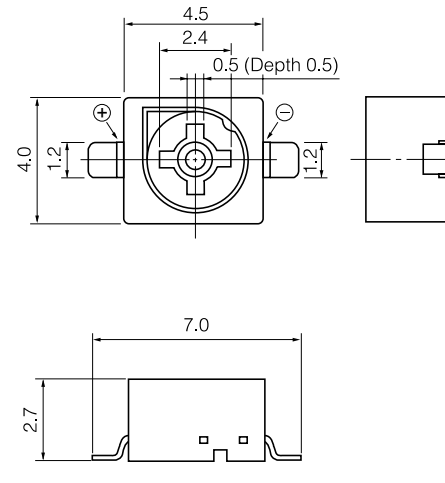
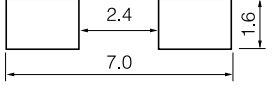
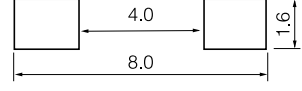
■ Ratings and Characteristics

Item	Ratings
Rated Voltage	100 VDC
Dielectric Withstanding Voltage	220 VDC
Insulation Resistance (at C max.)	10 ⁴ M Ω min. at 100 VDC and 1 minute electrification
Rotation Torque	1.47 to 9.81 mN · m (15 to 100 gf · cm)
Operating Temperature Range	- 25 to +85 °C

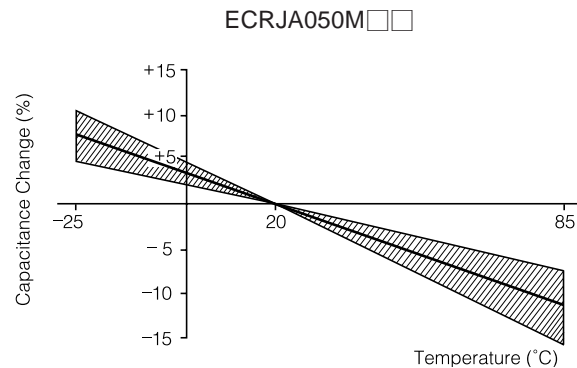
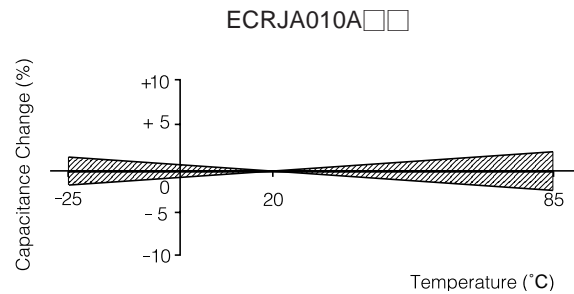
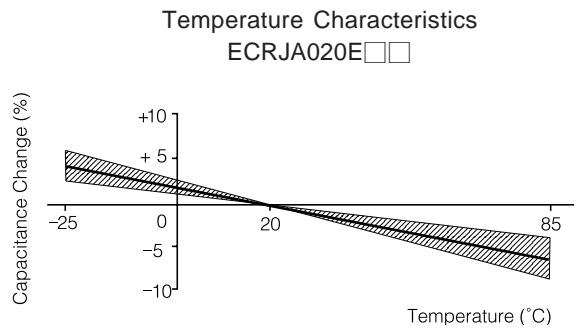
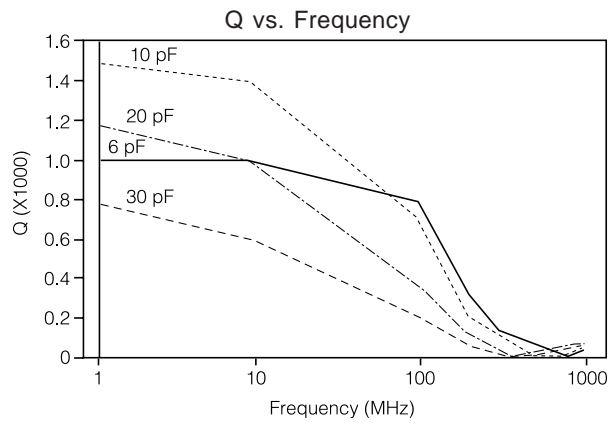
Part Number		Capacitance (pF)		Temperature Coefficient (ppm/°C)	Q (at C max.)	Color Marking	
Type A	Type E	max.	min.				
ECRJA003A11□	ECRJE003A11□	3 ⁺⁵⁰ %	1.7 max.	NP0±200	300 min. (10 MHz)	White	
ECRJA006A11□	ECRJE006A11□	6 ⁺⁵⁰ %	2.5 max.	NP0±200		500 min. (10 MHz)	Blue
ECRJA010A11□	ECRJE010A11□	10 ⁺⁵⁰ %	3.5 max.	NP0±300			White
ECRJA020E11□	ECRJE020E11□	20 ⁺⁵⁰ %	5.5 max.	N900±350	300 min. (1 MHz)	Red	
ECRJA030E11□	ECRJE030E11□	30 ⁺⁵⁰ %	7.5 max.	N1100±450		Green	
ECRJA050M11□	ECRJE050M11□	50 ⁺¹⁰⁰ %	15.0 max.	N1700±600	200 min. (1 MHz)	Orange	

Design, Specifications are subject to change without notice. Ask factory for technical specifications before purchase and/or use. Whenever a doubt about safety arises from this product, please inform us immediately for technical consultation without fail.

■ Dimensions in mm (not to scale)

Type	A	E
	ECRJA□□□□□□	ECRJE□□□□□□
Dimensions in mm		
Recommended Land Layout		

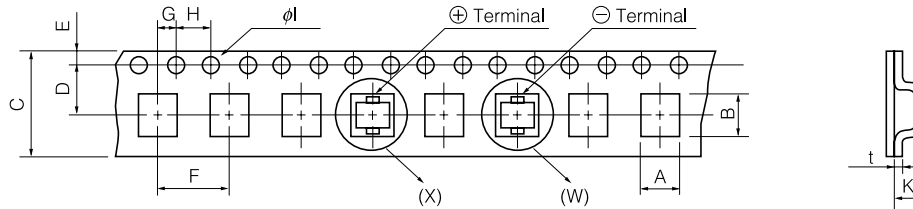
■ Typical Characteristics



■ Packaging Specifications

● Taping Dimensions in mm (not to scale)

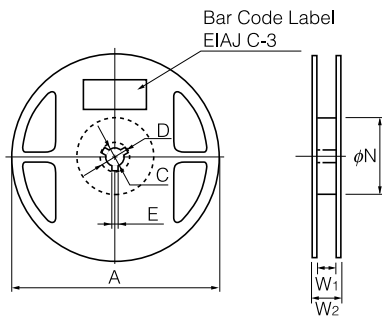
Carrier Tape



A*	B*	C	D	E	F	G	H	K	t	l
4.5±0.1	5.4±0.1	12.0±0.3	5.5±0.1	1.75±0.10	8.0±0.1	2.0±0.1	4.0±0.1	3.2±0.2	0.30±0.05	1.5±0.1

● Reel Dimensions in mm (not to scale)

Reel



● Packing Quantity

Taped Type	Part Number	Reel (mm)	Packaging Quantity
X	ECRJ□□□□□□□X	φ180	700 pcs.
	ECRJ□□□□□□□A	φ330	2500 pcs.
W	ECRJ□□□□□□□W	φ180	700 pcs.
	ECRJ□□□□□□□B	φ330	2500 pcs.

A	N	C	D	E	W ₁	W ₂
180	60	13	21	2.0	13.0	15.4
330	80	13	22	2.5	13.0	19.0

Reusable Reel EIAJ ET-7200 : RRM12B