



Directional Couplers 10 dB



Description

The JX510 is a low profile 10dB directional coupler in an easy to use miniature surface mount package for W-CDMA, UMTS and other 3G applications. The JX510 is ideal for power and frequency detection as well as power injection and can be used in most high power designs. Parts have been run through rigorous qualification testing and units are 100% tested. They are manufactured using materials with x and y thermal expansion coefficients compatible with common substrates.

Features

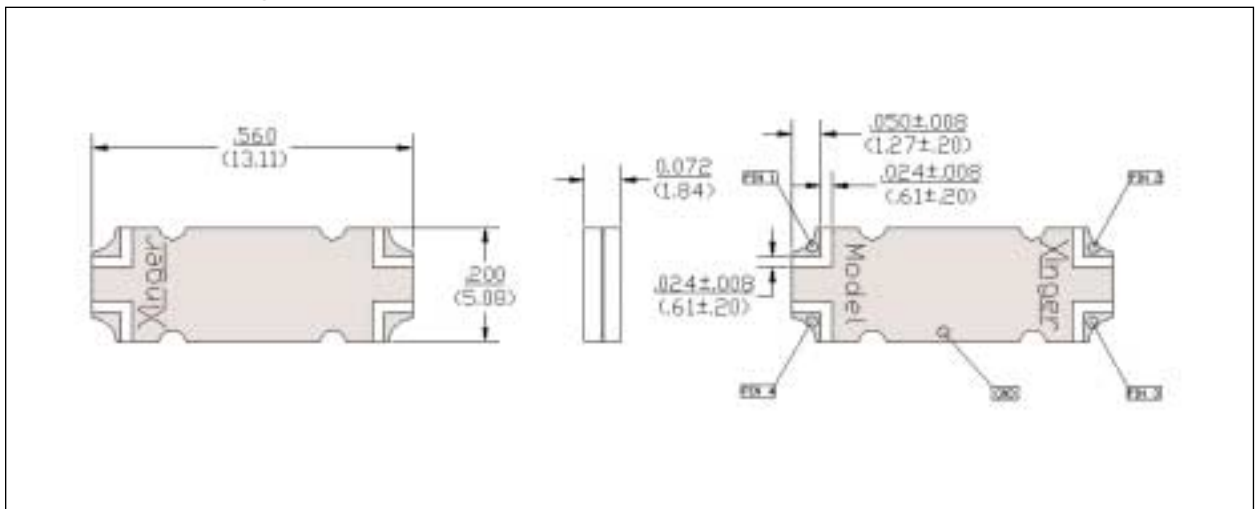
- 2.0 - 2.3 GHz
- Very Low Loss
- High Directivity
- Surface Mountable
- Tape And Reel
- Miniature Package
- 100% Tested

Electrical Specifications

Frequency GHz	Mean Coupling dB	Insert. Loss dB Max	VSWR Max : 1
2.0 - 2.3	10.0 ± 1.0	0.20	1.19
Freq. Sens. dB Max	Directivity dB Min	Θ _{JC} (°C/diss. Watt)	Power Watts Ave/CW
±0.10	20	23.5	60

Specifications subject to change without notice.

Outline Drawing

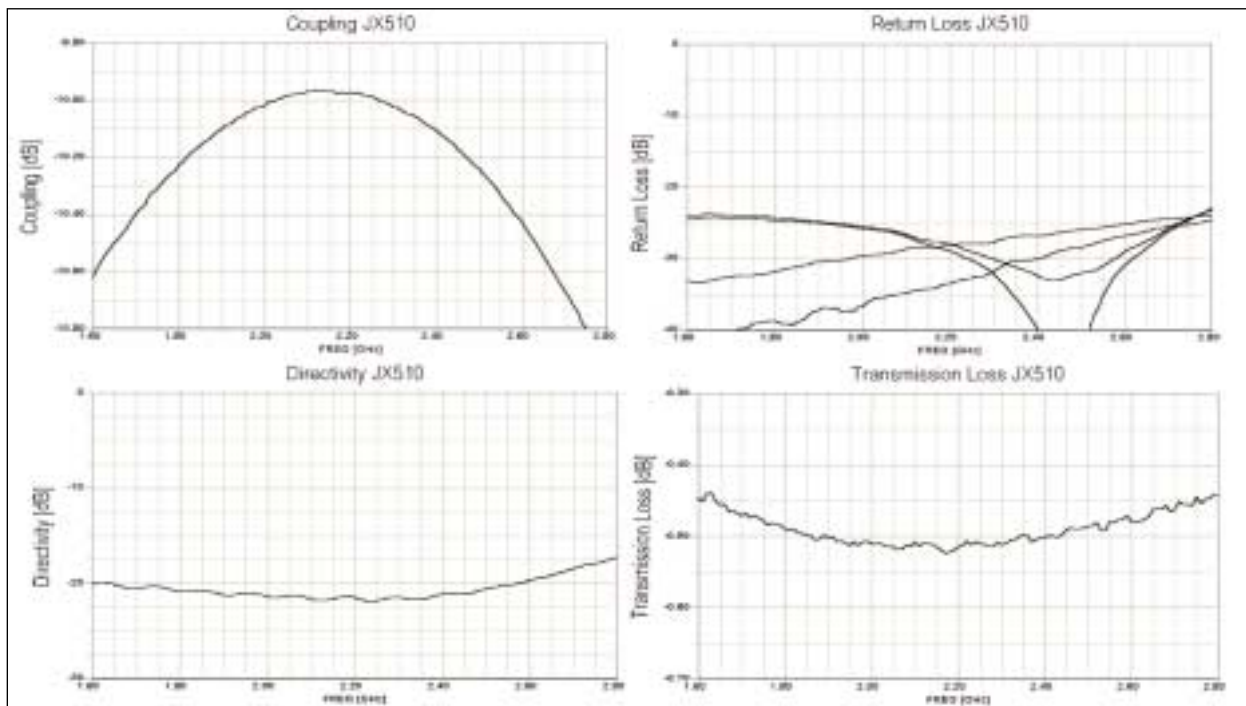


Model JX510

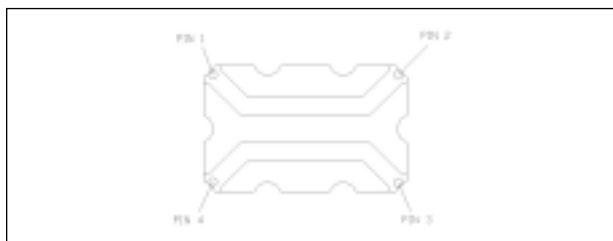
Anaren

Xinger®

Typical Performance

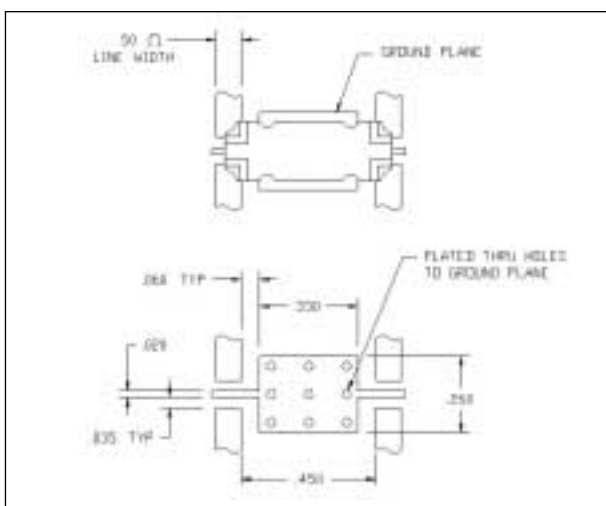


Pin Configuration



	Pin 1	Pin 2	Pin 3	Pin 4
#1	Input	Output	Isolated	Coupled
#2	Output	Input	Coupled	Isolated
#3	Isolated	Coupled	Input	Output
#4	Coupled	Isolated	Output	Input

Mounting Footprint



visit www.anaren.com

Available on Tape and Reel for Pick and Place Manufacturing.

