

# Digital transistors (built in resistor)

## DTC114TE / DTC114TUA / DTC114TKA

## DTC114TCA / DTC114TSA

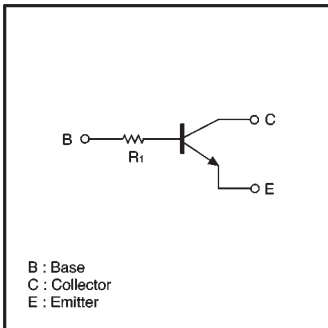
●Features

- 1) Built-in bias resistors enable the configuration of an inverter circuit without connecting external input resistors (see equivalent circuit).
- 2) The bias resistors consist of thin-film resistors with complete isolation to allow negative biasing of the input. They also have the advantage of almost completely eliminating parasitic effects.
- 3) Only the on/off conditions need to be set for operation, making device design easy.

●Structure

NPN digital transistor  
(With single built in resistor)

●Equivalent circuit



●External dimensions (Units: mm)

