

DATA SHEET

BFG135

NPN 7GHz wideband transistor

Product specification
File under discrete semiconductors, SC14

1995 Sep 13

NPN 7GHz wideband transistor

BFG135

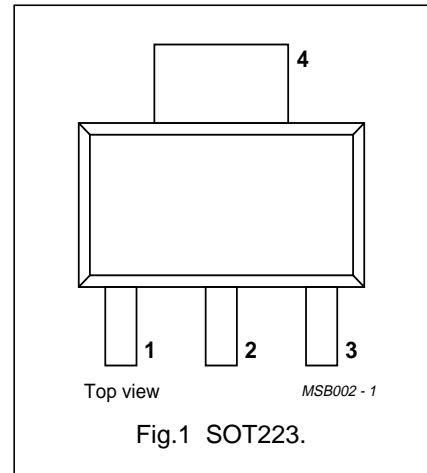
DESCRIPTION

NPN silicon planar epitaxial transistor in a plastic SOT223 envelope, intended for wideband amplifier applications. The small emitter structures, with integrated emitter-ballasting resistors, ensure high output voltage capabilities at a low distortion level.

The distribution of the active areas across the surface of the device gives an excellent temperature profile.

PINNING

| PIN | DESCRIPTION |
|-----|-------------|
| 1 | emitter |
| 2 | base |
| 3 | emitter |
| 4 | collector |



QUICK REFERENCE DATA

| SYMBOL | PARAMETER | CONDITIONS | MIN. | TYP. | MAX. | UNIT |
|-----------|-------------------------------|---|------|------|------|------|
| V_{CB0} | collector-base voltage | open emitter | – | – | 25 | V |
| V_{CE0} | collector-emitter voltage | open base | – | – | 15 | V |
| I_C | DC collector current | | – | – | 150 | mA |
| P_{tot} | total power dissipation | up to $T_s = 145\text{ °C}$ (note 1) | – | – | 1 | W |
| h_{FE} | DC current gain | $I_C = 100\text{ mA}$; $V_{CE} = 10\text{ V}$; $T_j = 25\text{ °C}$ | 80 | 130 | – | |
| f_T | transition frequency | $I_C = 100\text{ mA}$; $V_{CE} = 10\text{ V}$; $f = 1\text{ GHz}$; $T_{amb} = 25\text{ °C}$ | – | 7 | – | GHz |
| G_{UM} | maximum unilateral power gain | $I_C = 100\text{ mA}$; $V_{CE} = 10\text{ V}$; $f = 500\text{ MHz}$; $T_{amb} = 25\text{ °C}$ | – | 16 | – | dB |
| | | $I_C = 100\text{ mA}$; $V_{CE} = 10\text{ V}$; $f = 800\text{ MHz}$; $T_{amb} = 25\text{ °C}$ | – | 12 | – | dB |
| V_o | output voltage | $d_{im} = -60\text{ dB}$; $I_C = 100\text{ mA}$; $V_{CE} = 10\text{ V}$; $R_L = 75\text{ }\Omega$; $T_{amb} = 25\text{ °C}$; $f_{(p+q-r)} = 793.25\text{ MHz}$ | – | 850 | – | mV |

LIMITING VALUES

In accordance with the Absolute Maximum System (IEC 134).

| SYMBOL | PARAMETER | CONDITIONS | MIN. | MAX. | UNIT |
|-----------|---------------------------|--------------------------------------|------|------|------|
| V_{CB0} | collector-base voltage | open emitter | – | 25 | V |
| V_{CE0} | collector-emitter voltage | open base | – | 15 | V |
| V_{EBO} | emitter-base voltage | open collector | – | 2 | V |
| I_C | DC collector current | | – | 150 | mA |
| P_{tot} | total power dissipation | up to $T_s = 145\text{ °C}$ (note 1) | – | 1 | W |
| T_{stg} | storage temperature | | –65 | 150 | °C |
| T_j | junction temperature | | – | 175 | °C |

Note

- T_s is the temperature at the soldering point of the collector tab.

NPN 7GHz wideband transistor

BFG135

THERMAL CHARACTERISTICS

| SYMBOL | PARAMETER | CONDITIONS | THERMAL RESISTANCE |
|---------------|---|--------------------------------------|--------------------|
| $R_{th\ j-s}$ | thermal resistance from junction to soldering point | up to $T_s = 145\text{ °C}$ (note 1) | 30 K/W |

Note

- T_s is the temperature at the soldering point of the collector tab.

CHARACTERISTICS

$T_j = 25\text{ °C}$ unless otherwise specified.

| SYMBOL | PARAMETER | CONDITIONS | MIN. | TYP. | MAX. | UNIT |
|-----------|---|--|------|------|------|---------------|
| I_{CBO} | collector cut-off current | $I_E = 0; V_{CB} = 10\text{ V}$ | – | – | 1 | μA |
| h_{FE} | DC current gain | $I_C = 100\text{ mA}; V_{CE} = 10\text{ V}$ | 80 | 130 | – | |
| C_c | collector capacitance | $I_E = i_e = 0; V_{CB} = 10\text{ V}; f = 1\text{ MHz}$ | – | 2 | – | pF |
| C_e | emitter capacitance | $I_C = i_c = 0; V_{EB} = 0.5\text{ V}; f = 1\text{ MHz}$ | – | 7 | – | pF |
| C_{re} | feedback capacitance | $I_C = 0; V_{CE} = 10\text{ V}; f = 1\text{ MHz}$ | – | 1.2 | – | pF |
| f_T | transition frequency | $I_C = 100\text{ mA}; V_{CE} = 10\text{ V}; f = 1\text{ GHz}; T_{amb} = 25\text{ °C}$ | – | 7 | – | GHz |
| G_{UM} | maximum unilateral power gain | $I_C = 100\text{ mA}; V_{CE} = 10\text{ V}; f = 500\text{ MHz}; T_{amb} = 25\text{ °C}$ | – | 16 | – | dB |
| | | $I_C = 100\text{ mA}; V_{CE} = 10\text{ V}; f = 800\text{ MHz}; T_{amb} = 25\text{ °C}$ | – | 12 | – | dB |
| V_o | output voltage | note 1 | – | 900 | – | mV |
| | | note 2 | – | 850 | – | mV |
| d_2 | second order intermodulation distortion | $I_C = 90\text{ mA}; V_{CE} = 10\text{ V}; V_O = 50\text{ dBmV}; T_{amb} = 25\text{ °C}; f_{(p+q)} = 450\text{ MHz}; f_p = 50\text{ MHz}; f_q = 400\text{ MHz}$ | – | –58 | – | dB |
| | | $I_C = 90\text{ mA}; V_{CE} = 10\text{ V}; V_O = 50\text{ dBmV}; T_{amb} = 25\text{ °C}; f_{(p+q)} = 810\text{ MHz}; f_p = 250\text{ MHz}; f_q = 560\text{ MHz}$ | – | –53 | – | dB |

Notes

- $d_{im} = -60\text{ dB}$ (DIN 45004B); $I_C = 100\text{ mA}; V_{CE} = 10\text{ V}; R_L = 75\ \Omega; T_{amb} = 25\text{ °C}; V_p = V_o$ at $d_{im} = -60\text{ dB}; f_p = 445.25\text{ MHz}; V_q = V_o - 6\text{ dB}; f_q = 453.25\text{ MHz}; V_r = V_o - 6\text{ dB}; f_r = 455.25\text{ MHz};$ measured at $f_{(p+q-r)} = 443.25\text{ MHz}$.
- $d_{im} = -60\text{ dB}$ (DIN 45004B); $I_C = 100\text{ mA}; V_{CE} = 10\text{ V}; R_L = 75\ \Omega; T_{amb} = 25\text{ °C}; V_p = V_o$ at $d_{im} = -60\text{ dB}; f_p = 795.25\text{ MHz}; V_q = V_o - 6\text{ dB}; f_q = 803.25\text{ MHz}; V_r = V_o - 6\text{ dB}; f_r = 805.25\text{ MHz};$ measured at $f_{(p+q-r)} = 793.25\text{ MHz}$.

NPN 7GHz wideband transistor

BFG135

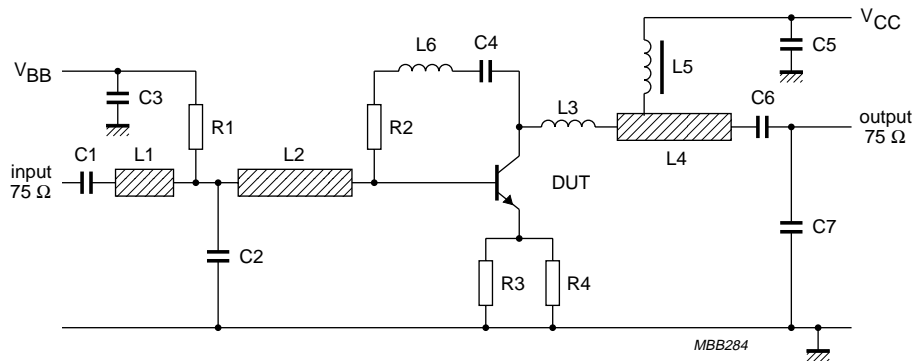


Fig.2 Intermodulation distortion and second order intermodulation distortion test circuit.

List of components (see test circuit)

| DESIGNATION | DESCRIPTION | VALUE | UNIT | DIMENSIONS | CATALOGUE NO. |
|----------------|-----------------------------------|--------------|------------|---------------------------------------|----------------|
| C1, C3, C5, C6 | multilayer ceramic capacitor | 10 | nF | | 2222 590 08627 |
| C2, C7 | multilayer ceramic capacitor | 1 | pF | | 2222 851 12108 |
| C4 (note 1) | miniature ceramic plate capacitor | 10 | nF | | 2222 629 08103 |
| L1 | microstripline | 75 | Ω | length 7 mm; width 2.5 mm | |
| L2 | microstripline | 75 | Ω | length 22mm; width 2.5 mm | |
| L3 (note 1) | 1.5 turns 0.4 mm copper wire | | | int. dia. 3 mm; winding pitch 1 mm | |
| L4 | microstripline | 75 | Ω | length 19 mm; width 2.5 mm | |
| L5 | Ferroxcube choke | 5 | μ H | | 3122 108 20153 |
| L6 (note 1) | 0.4 mm copper wire | ≈ 25 | nH | length 30 mm | |
| R1 | metal film resistor | 10 | k Ω | | 2322 180 73103 |
| R2 (note 1) | metal film resistor | 200 | Ω | | 2322 180 73201 |
| R3, R4 | metal film resistor | 27 | Ω | | 2322 180 73279 |

Note

- Components C4, L3, L6 and R2 are mounted on the underside of the PCB.

The circuit is constructed on a double copper-clad printed circuit board with PTFE dielectric ($\epsilon_r = 2.2$); thickness $\frac{1}{16}$ inch; thickness of copper sheet $\frac{1}{32}$ inch.

NPN 7GHz wideband transistor

BFG135

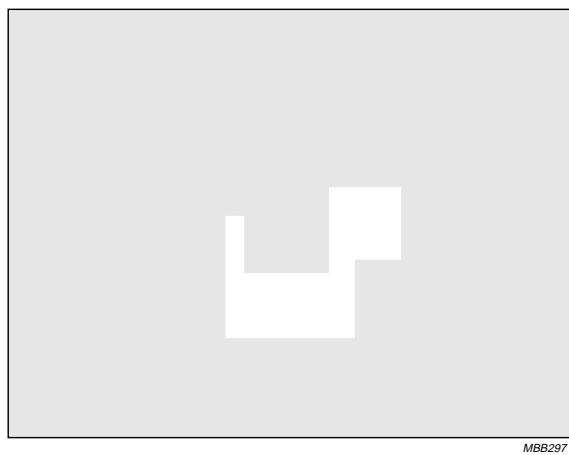
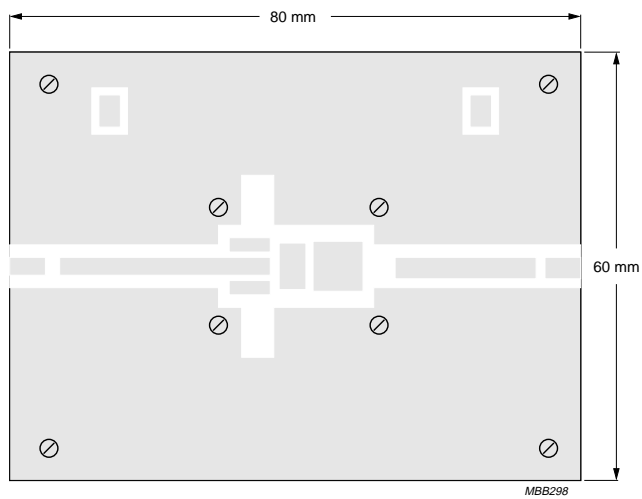
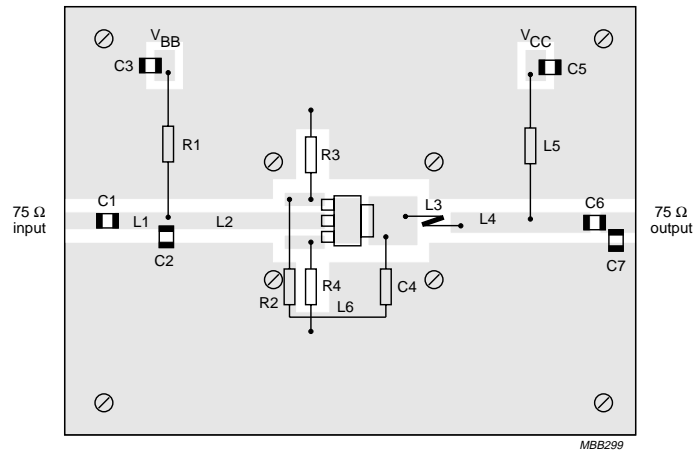
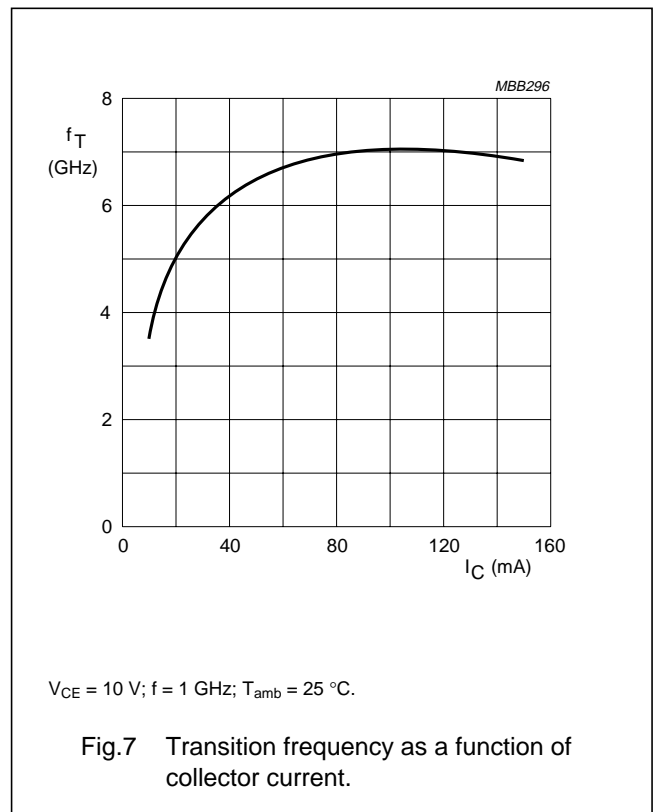
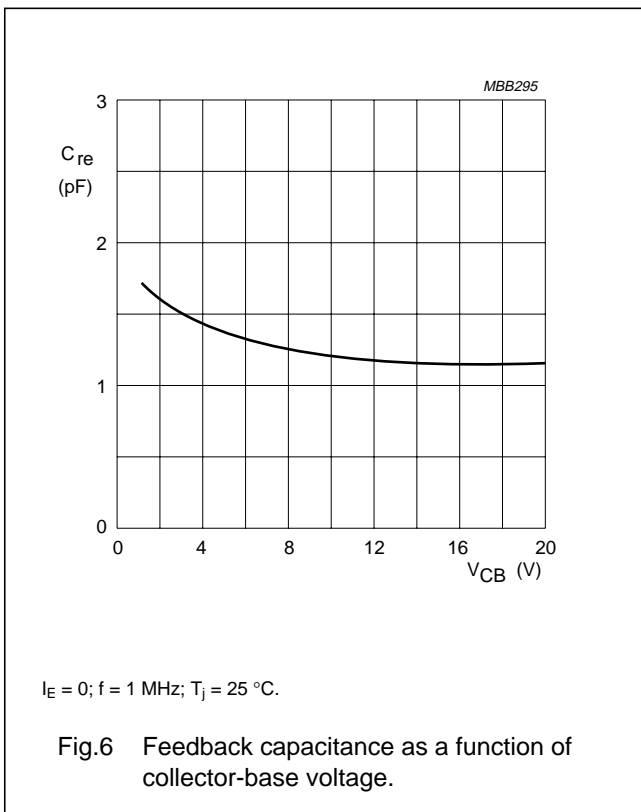
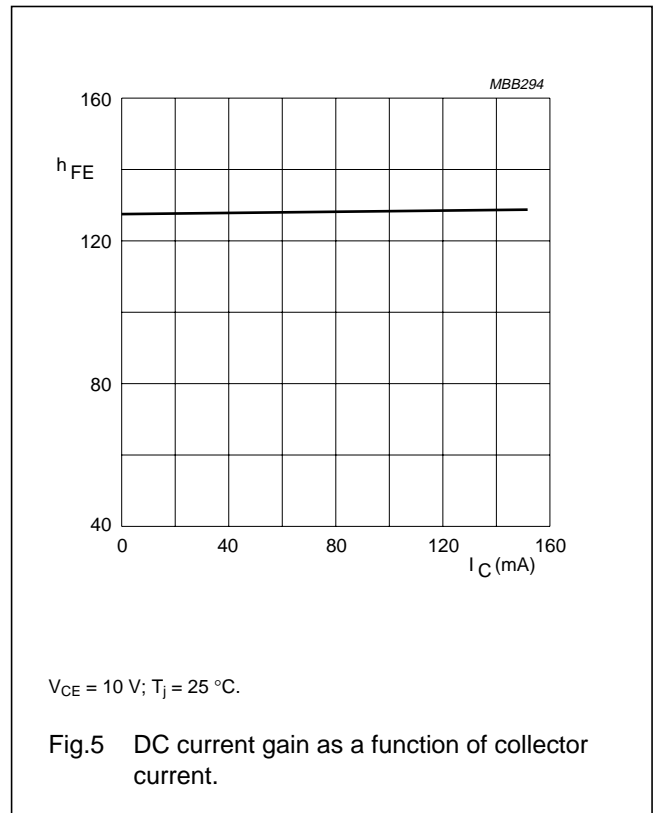
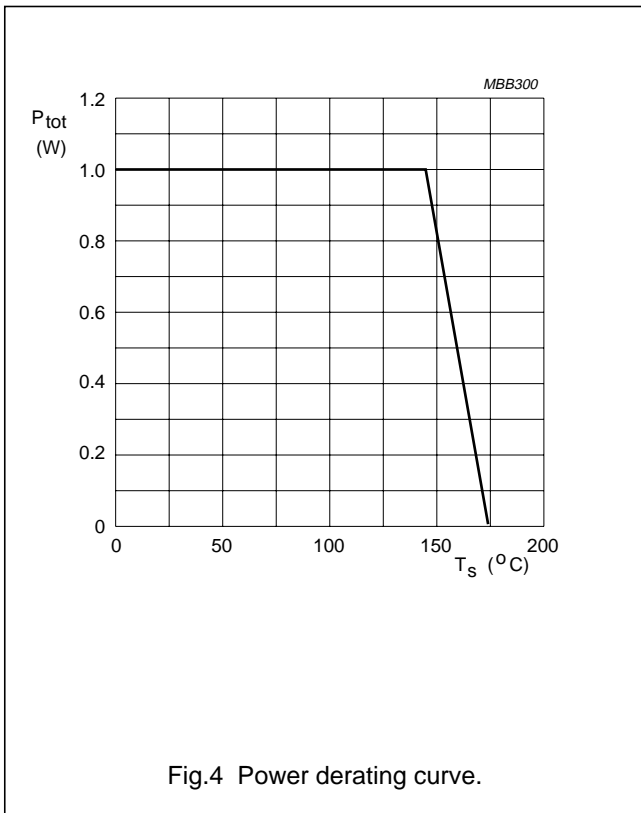


Fig.3 Intermodulation distortion test printed-circuit board.

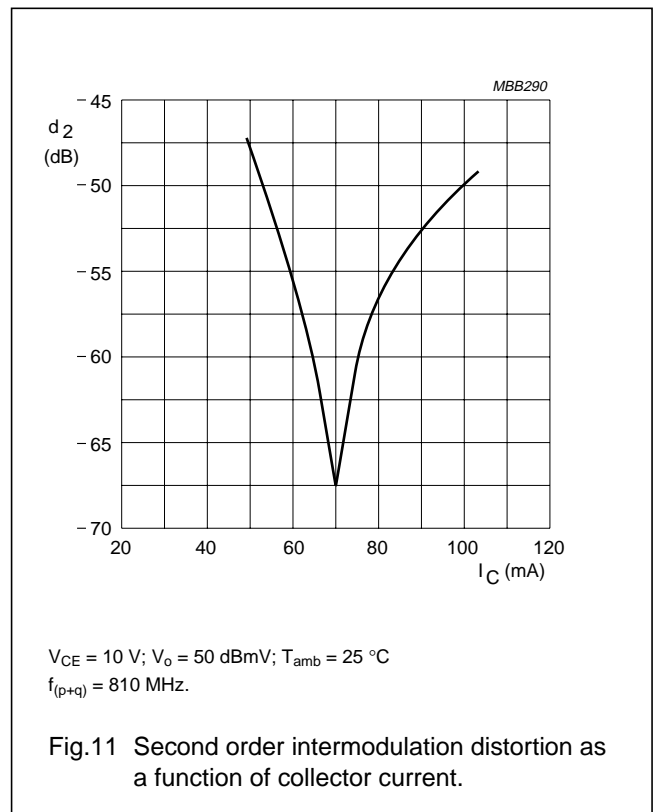
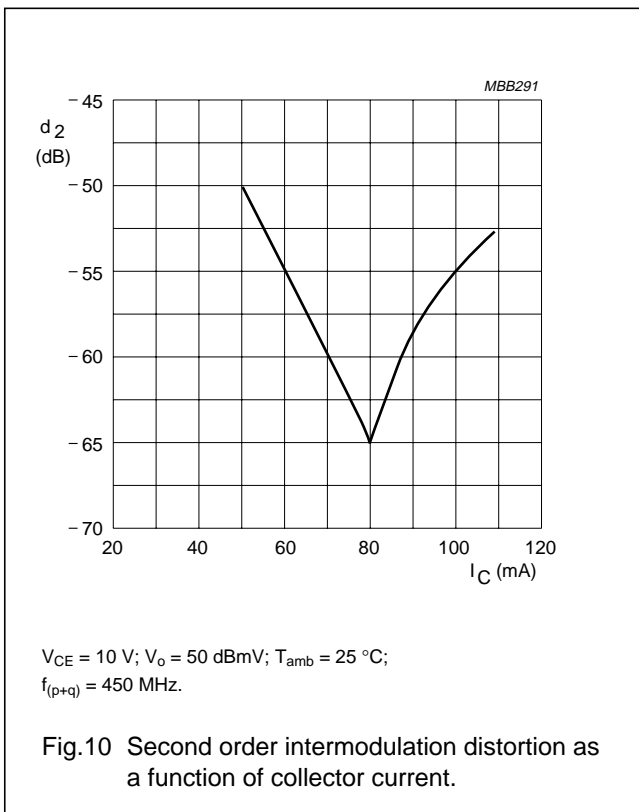
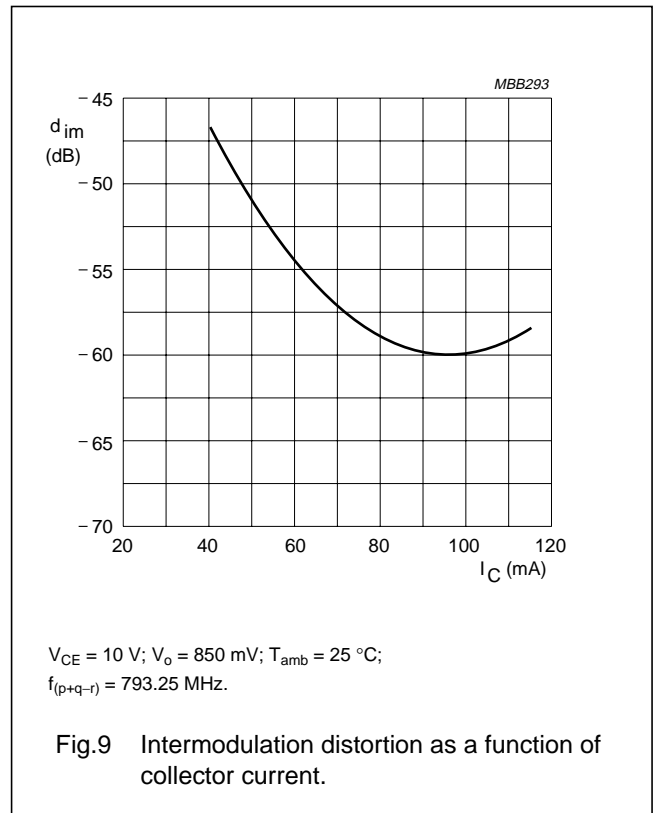
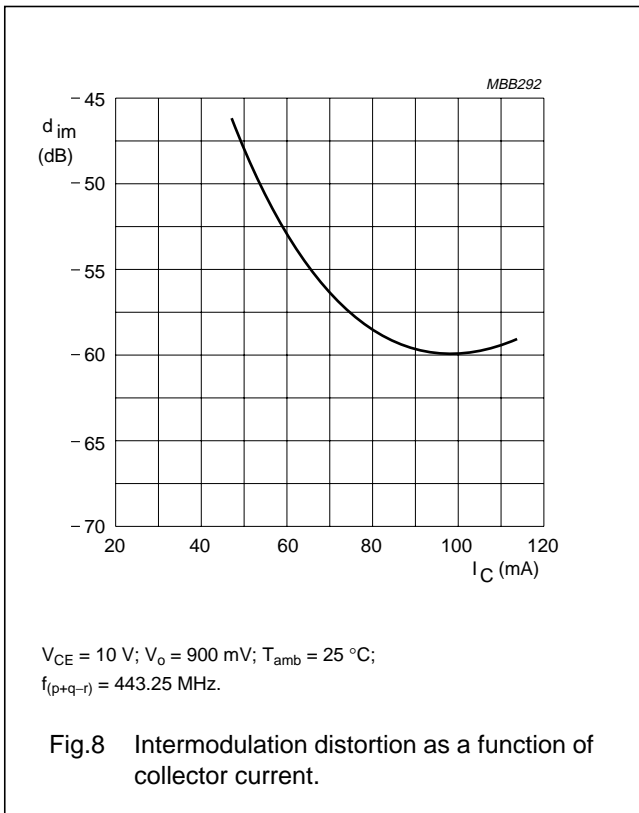
NPN 7GHz wideband transistor

BFG135



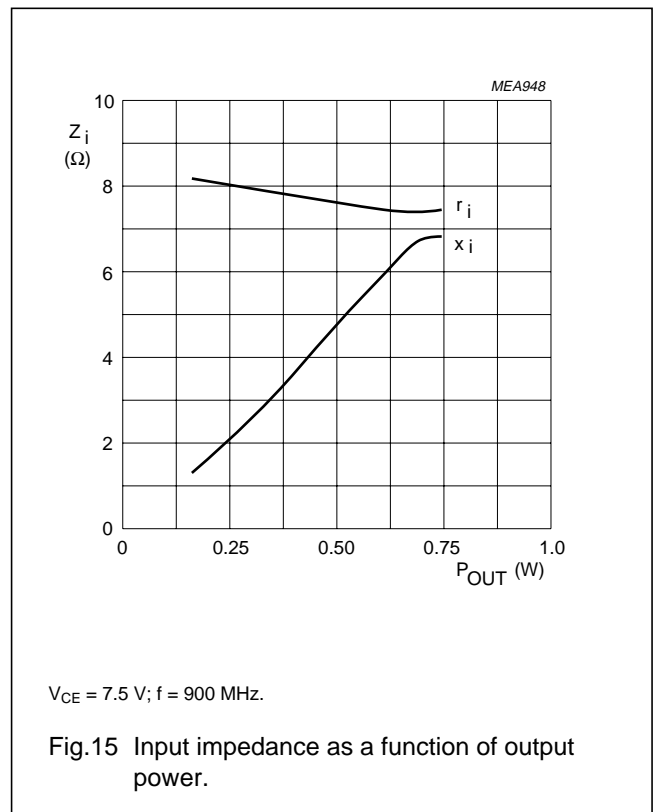
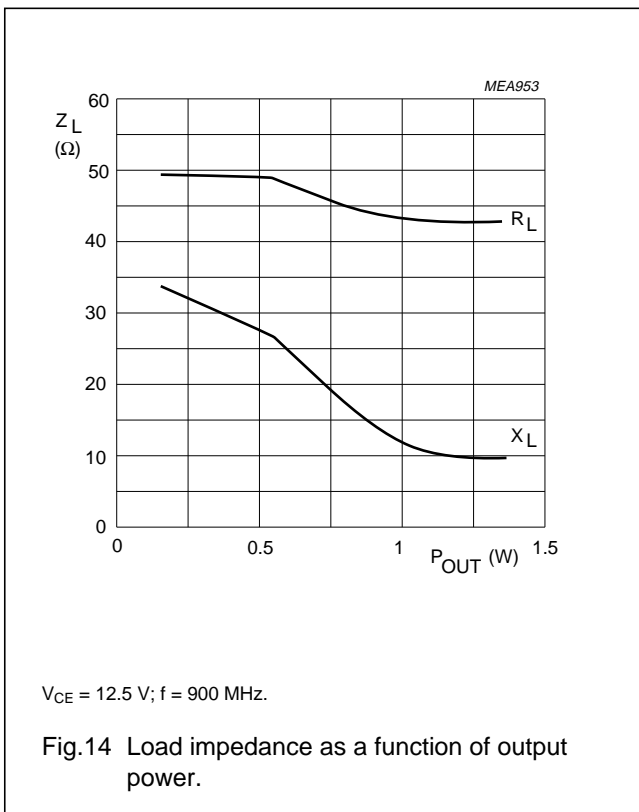
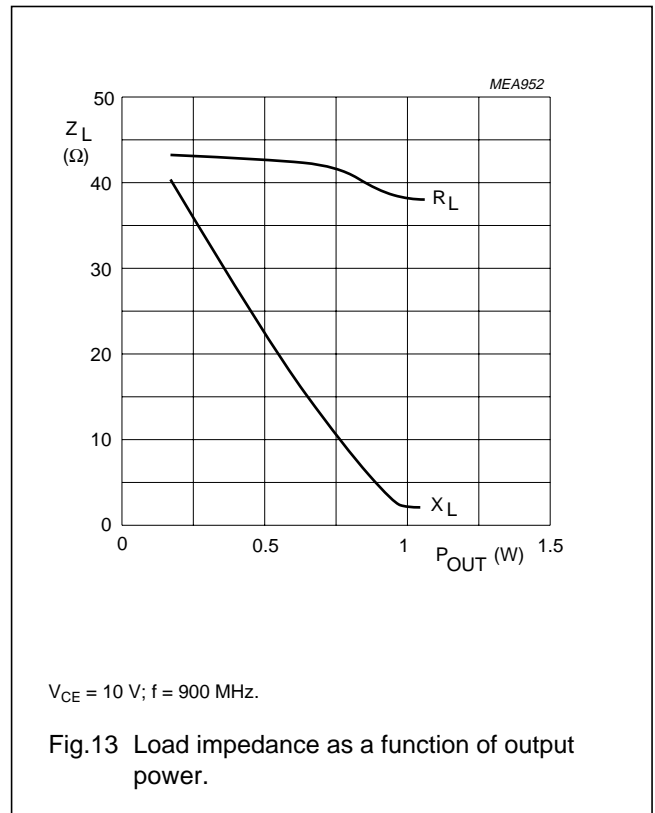
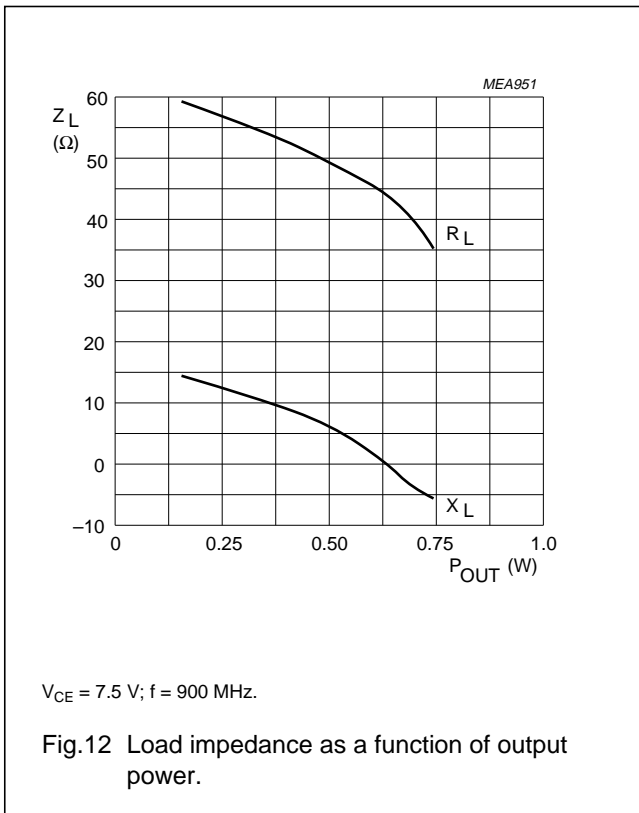
NPN 7GHz wideband transistor

BFG135



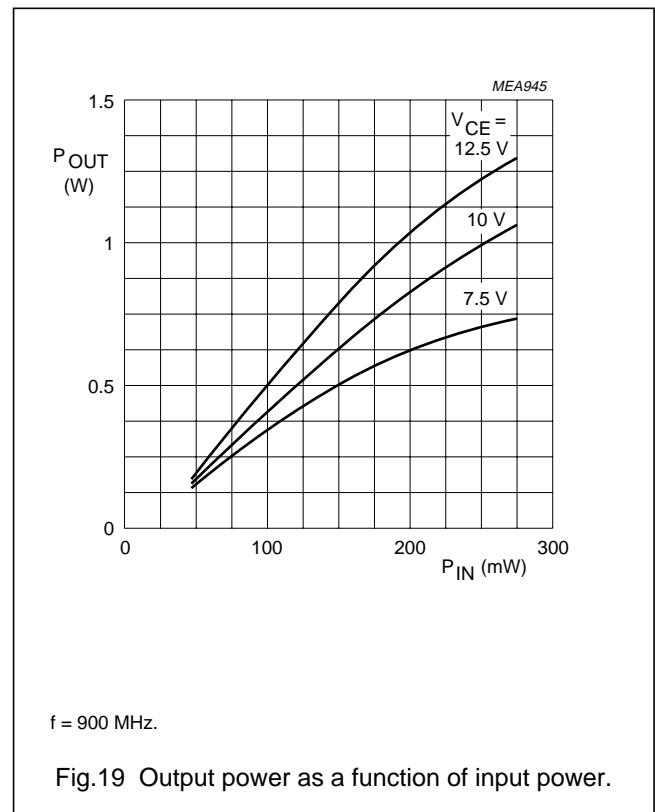
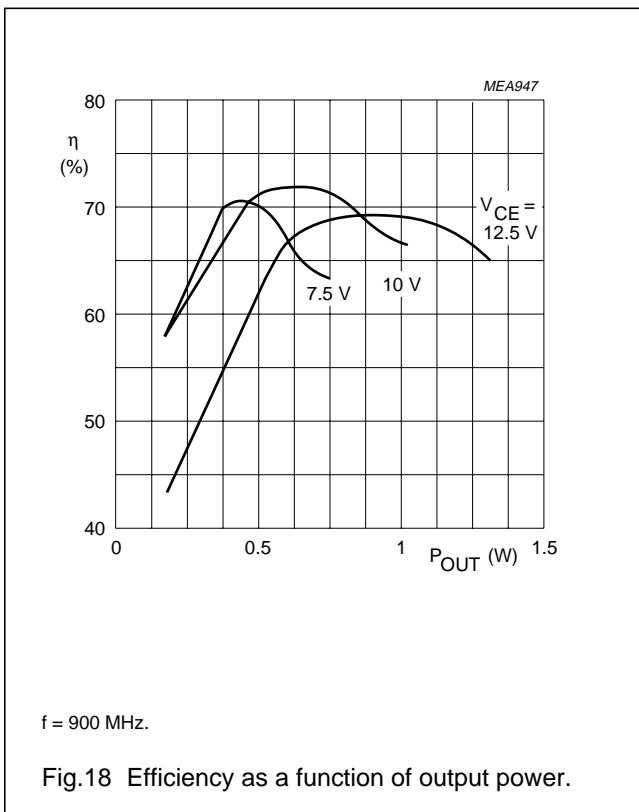
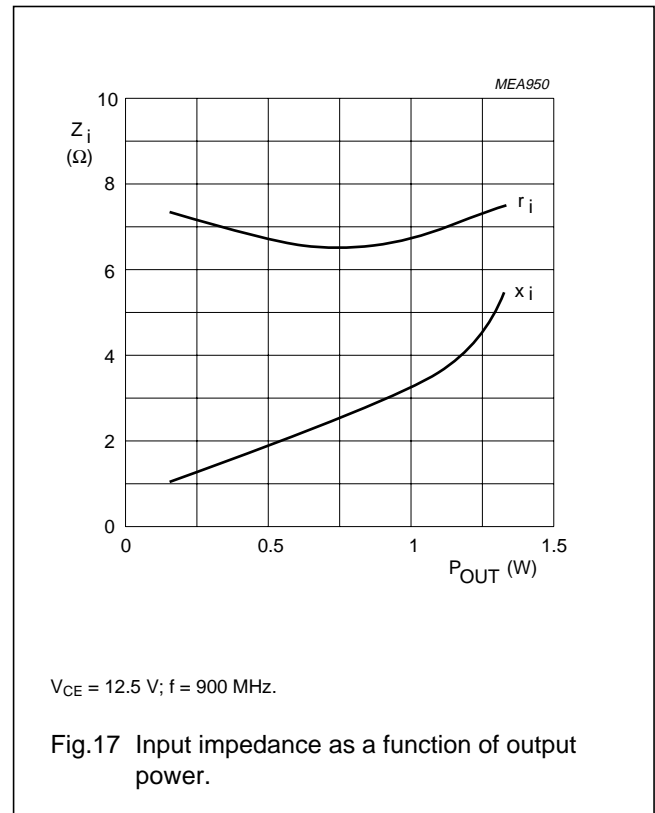
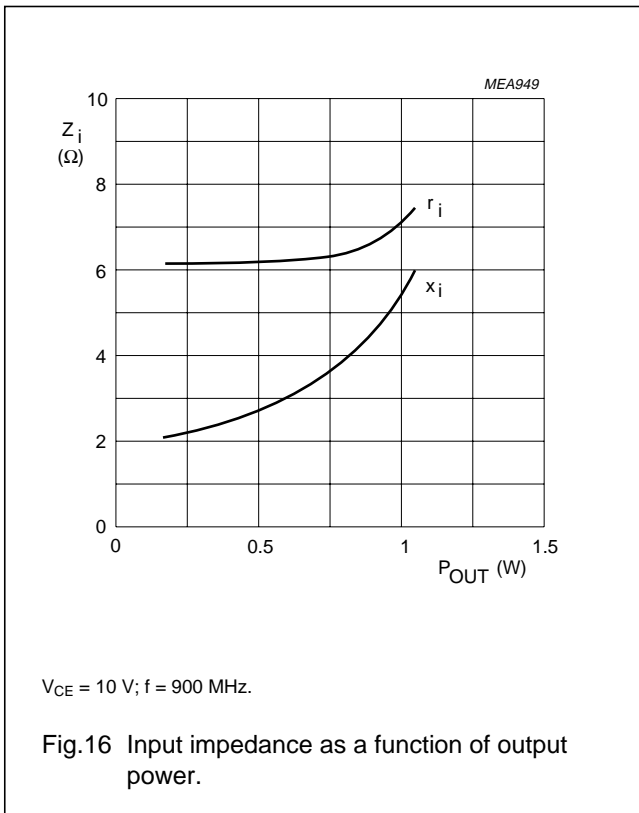
NPN 7GHz wideband transistor

BFG135



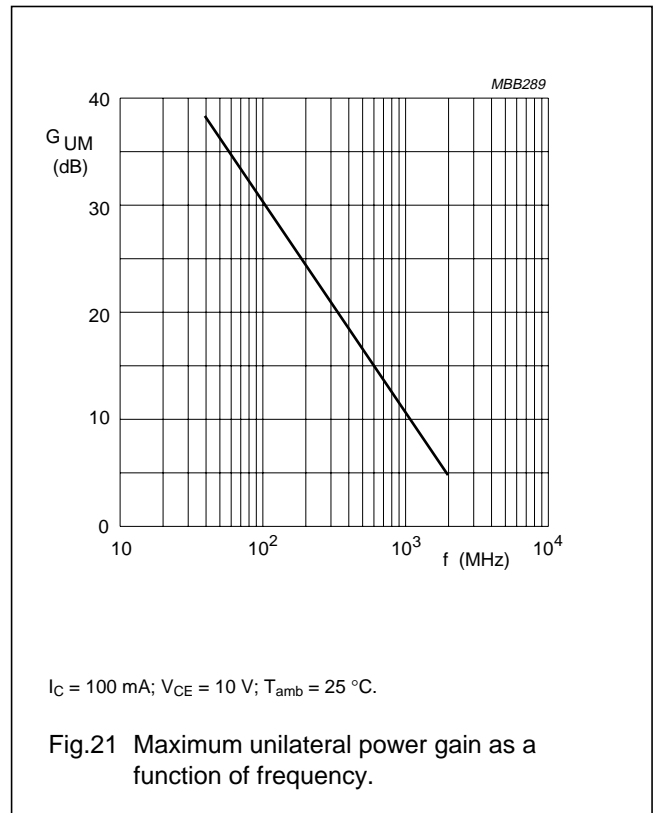
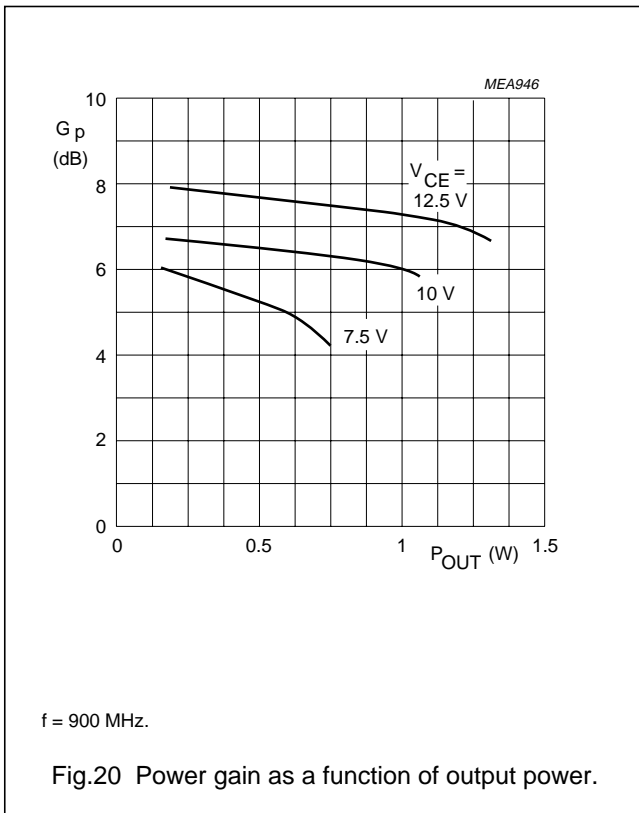
NPN 7GHz wideband transistor

BFG135



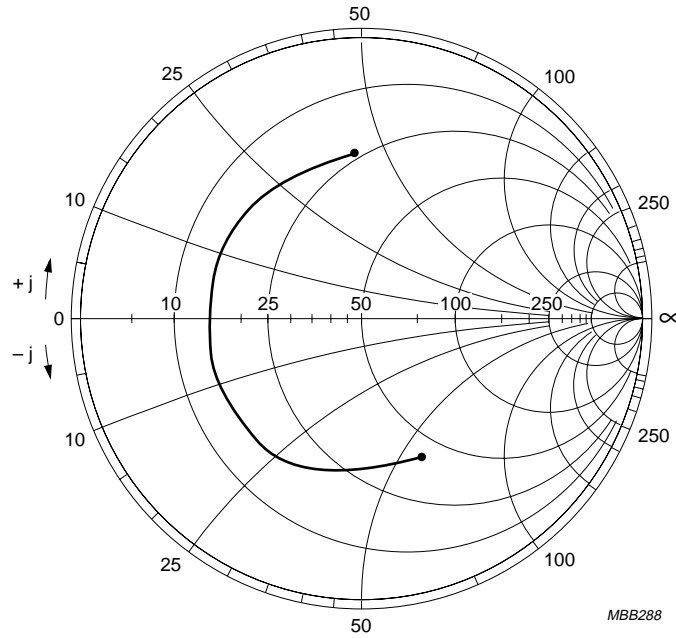
NPN 7GHz wideband transistor

BFG135



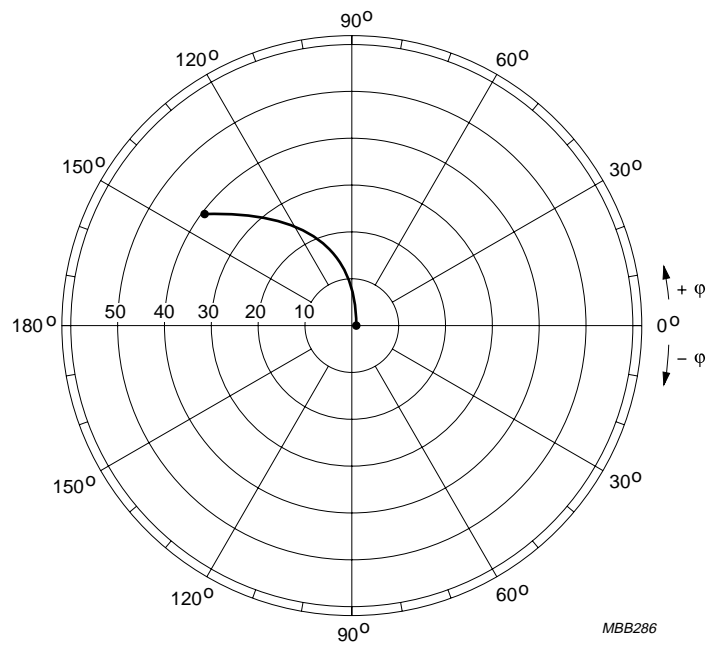
NPN 7GHz wideband transistor

BFG135



$I_C = 100 \text{ mA}; V_{CE} = 10 \text{ V}; T_{amb} = 25 \text{ }^\circ\text{C}; Z_o = 50 \text{ } \Omega.$

Fig.22 Common emitter input reflection coefficient (S_{11}).



$I_C = 100 \text{ mA}; V_{CE} = 10 \text{ V}; T_{amb} = 25 \text{ }^\circ\text{C}.$

Fig.23 Common emitter forward transmission coefficient (S_{21}).

NPN 7GHz wideband transistor

BFG135

