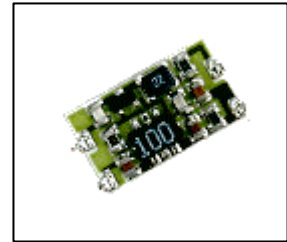


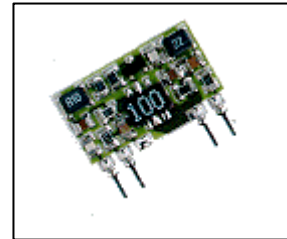
FEATURES

- COMPLETE RF TRANSMITTER
- TRANSMIT RANGE UP TO 70m
- CMOS/TTL INPUT
- AVAILABLE IN DIL OR SIL PACKAGE
- NO ADJUSTABLE COMPONENTS
- VERY STABLE OPERATING FREQUENCY
- LOW CURRENT CONSUMPTION (TYP 4mA)
- LOW SPURIOUS EMISSIONS (-35dBc)
- WIDE OPERATING VOLTAGE (2-14V)
- AVAILABLE AS 315, 418 OR 433 MHZ
- COMPATIBLE WITH RF SOLUTIONS RECEIVERS



APPLICATIONS

- WIRELESS SECURITY SYSTEMS
- CAR ALARMS
- REMOTE GATE CONTROLS
- REMOTE SENSING
- DATA CAPTURE
- SENSOR REPORTING



DESCRIPTION

The R F Solutions Ltd. AM hybrid transmitter module provides a complete RF transmitter which can be used to transmit data at up to 4 kHz from any standard CMOS/TTL source.

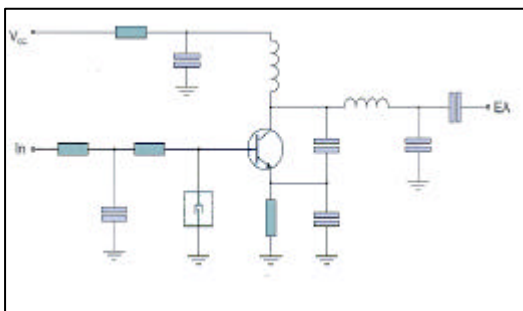
The module is very simple to operate and offers low current consumption (typ. 4 mA). Data can be supplied directly from a microprocessor or encoding device, thus keeping the component count down and ensuring a low hardware cost.

The module exhibits extremely stable electronic characteristics due to the use of 'Thick-Film' hybrid technology, which uses no adjustable components and ensures very reliable operation.

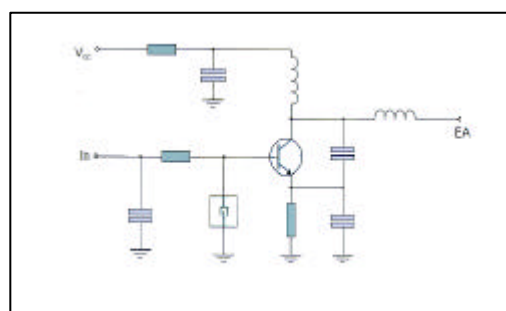
The modules are compatible with R F solutions Ltd. range of AM receivers to provide a complete solution.

CIRCUIT SCHEMATICS

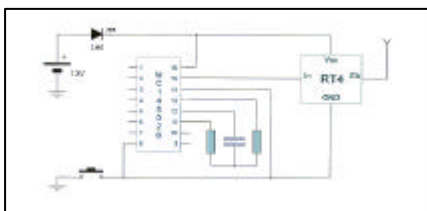
RT4



RT5

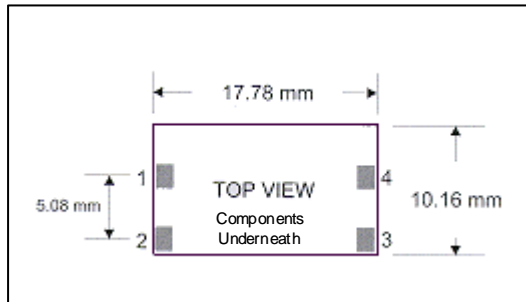


TYPICAL APPLICATION

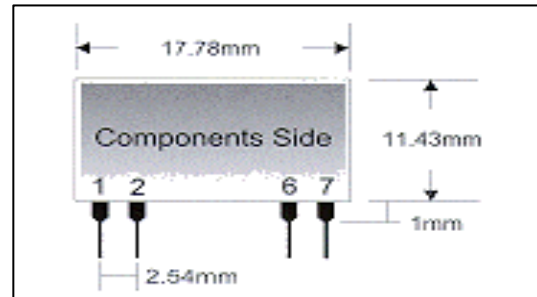


MECHANICAL DIMENSIONS

RT4



RT5



PIN DESCRIPTIONS

RT4 Pin	RT5 Pin	Name	Description
1	7	Vcc	Supply Voltage
2	6	GND	Ground, Connect to RF earth return path
3	2	IN	Data input
4	1	EA	External Antenna

ELECTRICAL CHARACTERISTICS

Ambient temp = 25°C unless otherwise stated.

Characteristic	Min.	Typ.	Max.	Dimensions
Supply Voltage	2		14	Vdc
Supply Current (Vcc=5V IN=1kHz)		4		mA
Supply Current (Vcc=5V IN=DC)		50		nA
Working Frequency	303.8		433.92	MHz
RF Output Power into 50Ω (Vcc=5V)		0		-dBm
Harmonic Spurious Emissions		-30		-dBc
Input Voltage High	2		Vcc	V
Time from Power on to data transmission		10		μSec
Data Rate	50		4000	Hz
Operating Temperature	-25		+80	°C

PART NUMBERING

PART Number	Description
AM-RT4-418	DIL AM Transmitter Module 418 MHz
AM-RT4-433	DIL AM Transmitter Module 433 MHz
AM-RT5-418	SIL AM Transmitter Module 418 MHz
AM-RT5-433	SIL AM Transmitter Module 433 MHz

Should you require further assistance, please call;

R. F. Solutions Ltd.,
Unit 21, Cliffe Industrial Estate,
South Street,
Lewes,
E Sussex, BN8 6JL. England.

Tel +44 (0)1273 898 000. Fax +44 (0)1273 480 661.

Email sales@rfsolutions.co.uk

<http://www.rfsolutions.co.uk>

R F Solutions Ltd is a member of the Low Power radio Association



Information contained in this document is believed to be accurate, however no representation or warranty is given and no liability is assumed by R.F. Solutions Ltd. with respect to the accuracy of such information. Use of R.F.Solutions modules as critical components in life support systems is not authorised except with express written approval from R.F.Solutions Ltd.