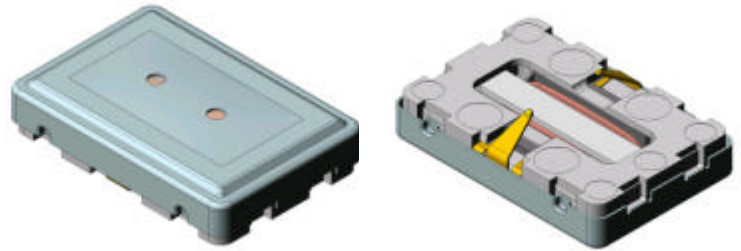


Rectangular Receiver LTR 711A



Impedance: 32Ω
1kHz sensitivity: $25\text{dB} \pm 3\text{dB}$

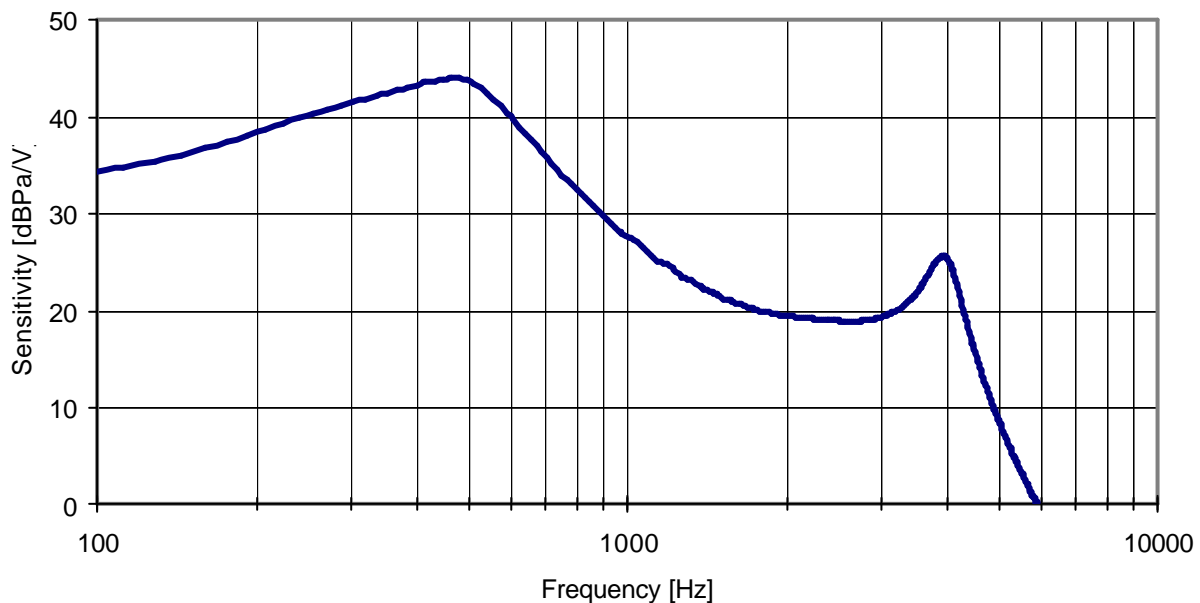
Features:

Receiver for Leak Tolerant applications
Rectangular shape 7mm x 11mm, minimum space demanding
Connection to PCB by means of leaf springs for solderless connection

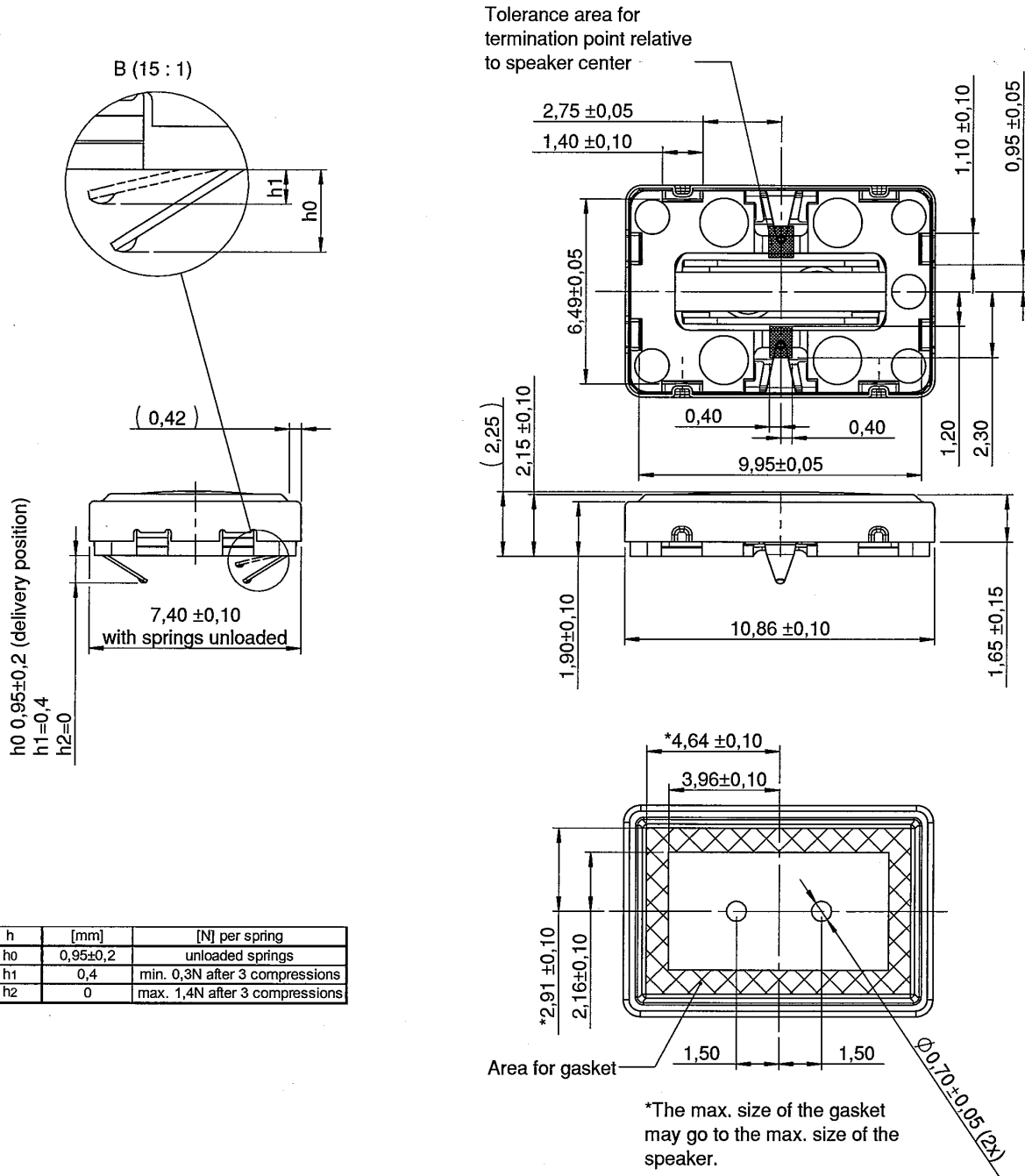
Product Specification No. 1319 0001

Typical Response curve:

IEC318 coupler, sealed condition



Mechanical Drawing:



h	[mm]	[N] per spring
h0	0,95±0,2	unloaded springs
h1	0,4	min. 0,3N after 3 compressions
h2	0	max. 1,4N after 3 compressions