

CRYSTAL CLOCK OSCILLATORS

2725T

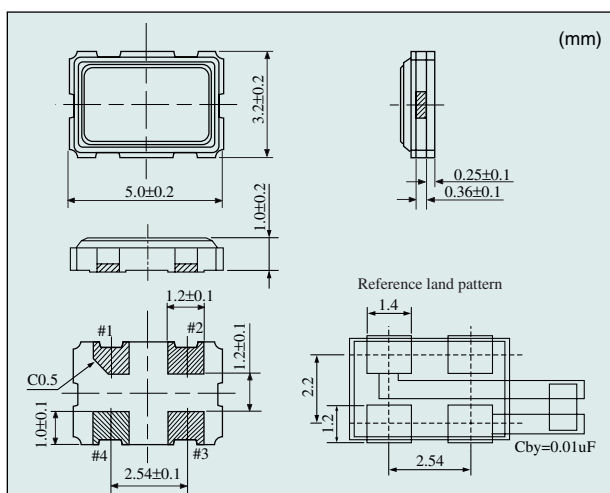
■ Features

- The best choice for portable PC, PDA and PC card.
- Frequency range : 2.5~125MHz.
- Embossed carrier tape and IR reflow are possible.
- Products that are lead-free.
- Compact and light weight : 5.0×3.2×1.0mm, 0.06g.

■ Absolute Maximum Rating
 Supply Voltage (V_{DD}) -0.5~+7.0V DC
 Storage Temperature Range -40~+85°C

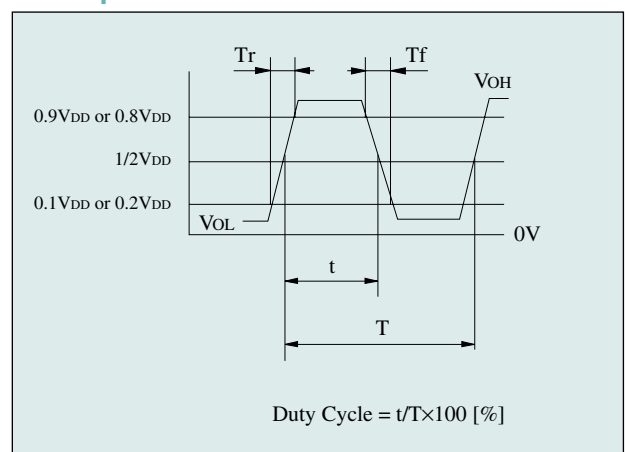
Item		Model	2725T					
Output Level			C-MOS					
Frequency Range	(MHz)		2.5≤F<20	20≤F<40	40≤F<60	60≤F<75	75≤F<100	100≤F≤125
Frequency Stability /Operating Temp. Range	(×10 ⁻⁶)/(°C)		±100/-20~+70 (Standard Model), ±50/-10~+70					
Supply Voltage (V _{DD})	(V)		+3.3±0.3					
Current Consumption (+3.3V, at 25°C)			8mA max	15mA max	22mA max	25mA max	35mA max	40mA max
	stand-by		10µA (max)					
V _{OL} max / V _{OH} min	(V)		0.1V _{DD} /0.9V _{DD} I _{OL} =4mA, I _{OH} =-4mA			0.2V _{DD} /0.8V _{DD} I _{OL} =4mA, I _{OH} =-4mA		
Tr max/Tf max	(ns)		5/5 (0.1V _{DD} ~0.9V _{DD})			3/3 (0.2V _{DD} ~0.8V _{DD})		
Duty Cycle	(%)		45~55 (at 1/2V _{DD})					
Fanout (gate)	C _L (pF)		15					
Stand-by Function	Tri-state		Yes					

■ 2725T Outline



PAD No.	Connection
# 1	STAND-BY
# 2	GND
# 3	OUTPUT
# 4	V _{DD}

■ Output Wave <C-MOS>



■ Stand-by Function <Tri-state>

# 1 input	# 3 output
H level (0.7V _{DD} ≤ V _{IH} ≤ V _{DD}) or open	Operating
L level (+0.3 V _{DD} max)	High impedance