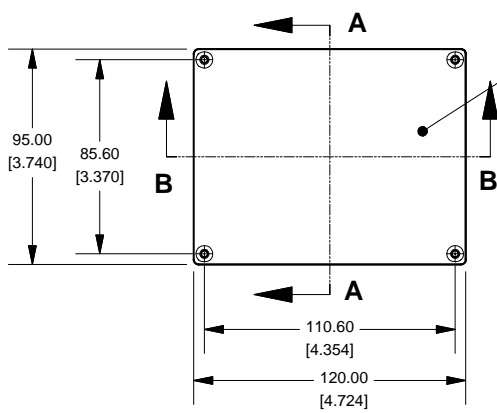
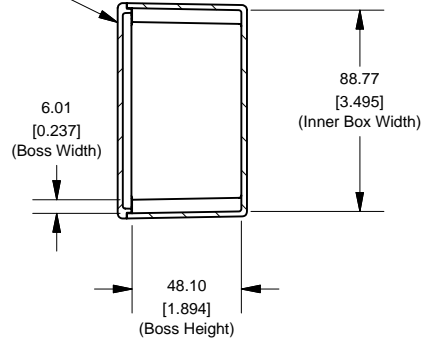


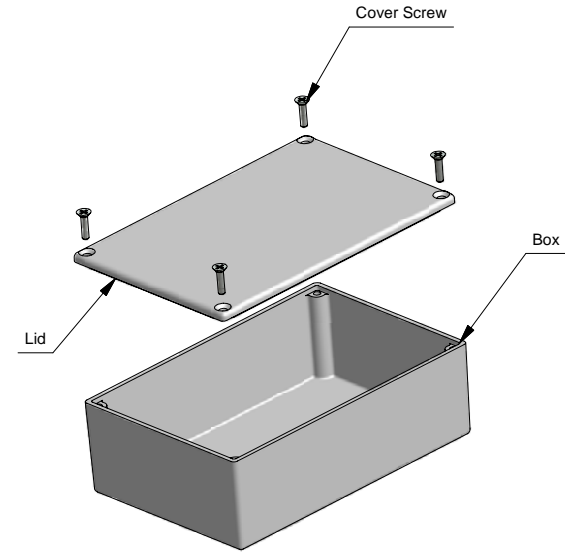
### Top View of Assembly



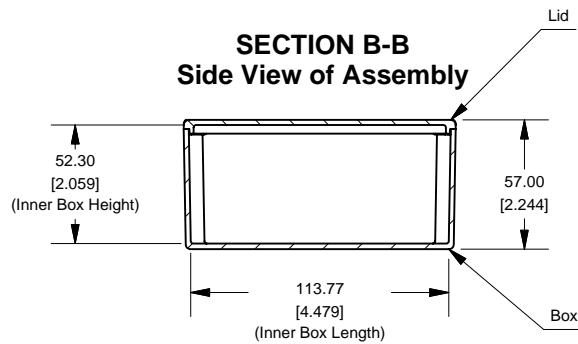
### SECTION A-A End View of Assembly



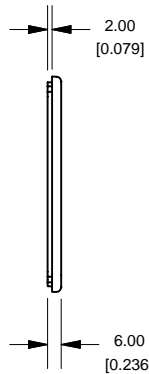
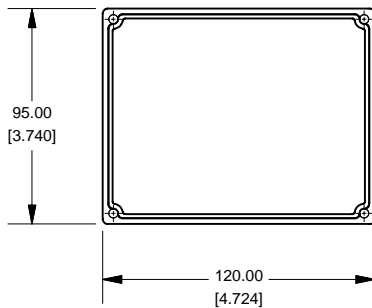
## Eddystone - Shallow Lid (26908PSLA)



### SECTION B-B Side View of Assembly



### Lid



PART DESCRIPTION	
<b>Part Number:</b>	26908PSLA
<b>Material:</b>	Diecast Aluminum Alloy
<b>Screw Type:</b>	M3.5 x 6 taptite screws (Includes 4) (Screws accept POZIDRIV No.2 screwdriver)



www.hammondmfg.com