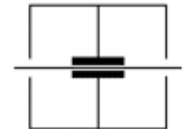
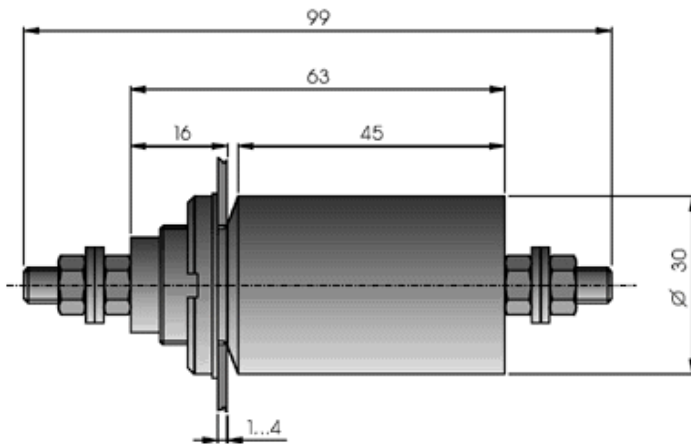




Feedthrough Capacitor

up to 75 A - for threaded bush mounting

Drawing and Circuit Diagram



Technical Data

Mounting thread	M 20 x 1
Fixing torque	21 Nm
Climatic category	acc. DIN IEC 68 Part 1: 40 / 085 / 56 (- 40 °C / + 85 °C / 56 days humidity test)
Case material	brass 0.4 mm
Connection	threaded bolt M 6
Flammability	V-0 acc. IEC 950
Weight	approx. 135 g
Fixing hole	(20.2 + 0.2)mm
Fixing thickness	1...4 mm
Capacitance tolerance	± 20 %

Models and Ordering Data

Type Model	Feedthrough Capacitor up to 75 A according EN 132400					
Order No.	Rated curr.	Rated voltage	Rated voltage	Rated voltage	Capacitance	Test voltage
02100170	75A	750VDC	600VAC	50/60Hz	35 n F	3200VDC, 2s
02100171	75A	750VDC	440VAC	50/60Hz	500 n F	2500VDC, 2s
02100172	75A	750VDC	440VAC	50/60Hz	1 µ F	2500VDC, 2s
02100173	75A	440VDC	250VAC	50/60Hz	2 µ F	1400VDC, 2s
02100174	75A	250VDC	120VAC	50/60Hz	4,7 µ F	1000VDC, 2s

[Overview Feedthrough Capacitors](#)



Rockwell Automation Westring 222 Phone +49-202-7391-0 <http://www.tesch.de>
 Germany GmbH & Co. KG D-42329 Wuppertal Fax +49-202-7391-115 email: tesch-vertrieb-fu@ra.rockwell.com

Copyright Rockwell Automation Germany GmbH & Co. KG ©