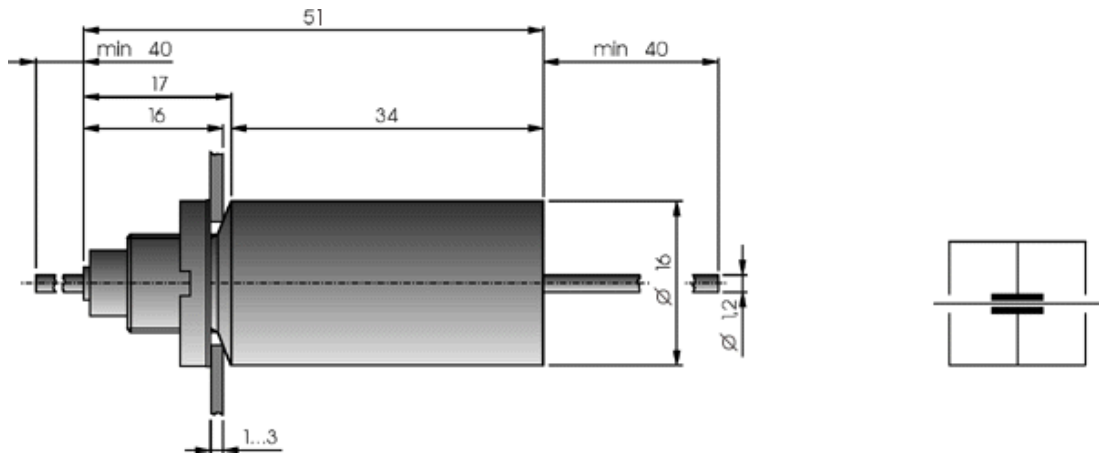




Feedthrough Capacitor

up to 16 A - for threaded bush mounting

Drawing and Circuit Diagram



Technical Data

Mounting thread	M 10 x 0.75
Fixing torque	7 Nm
Climatic category	acc. DIN IEC 68 Part 1: 40 /085 /56 (- 40 °C / + 85 °C / 56 days humidity test)
Case material	brass 0.4 mm
Connection	lead wire Ø 1,2 mm
Flammability	V-0 acc. IEC 950
Weight	approx. 29 g
Fixing hole	(10.5 + 0.3)mm
Fixing thickness	1...3 mm
Capacitance tolerance	± 20 %

Models and Ordering Data

Type Model	Feedthrough Capacitor up to 16 A according EN 132400					
Order No.	Rated curr.	Rated voltage		Capacitance	Test voltage	
02100138	16A	600VDC	440VAC	50/60Hz	2500 pF	3750VDC, 2s
02100144	16A	600VDC	440VAC	50/60Hz	5000 pF	3750VDC, 2s
02100145	16A	600VDC	440VAC	50/60Hz	10 nF	3750VDC, 2s
02100146	16A	600VDC	440VAC	50/60Hz	35 nF	3750VDC, 2s
02100147	16A	600VDC	440VAC	50/60Hz	50 nF	3750VDC, 2s
02100152	16A	600VDC	440VAC	50/60Hz	100 nF	2500VDC, 2s
02100153	16A	440VDC	250VAC	50/60Hz	500 nF	1400VDC, 2s
02100154	16A	300VDC	120VAC	50/60Hz	1 µ F	750VDC, 2s
02100155	16A	160VDC	80VAC	50/60Hz	2 µ F	450VDC, 2s
02100139	16A	100VDC	50VAC	50/60Hz	10 µ F	250VDC, 2s

[Overview Feedthrough Capacitors](#)



Rockwell Automation Westring 222 Phone +49-202-7391-0 <http://www.tesch.de>
Germany GmbH & Co. KG D-42329 Wuppertal Fax +49-202-7391-115 email: tesch-vertrieb-fu@ra.rockwell.com

Copyright Rochwell Automation Germany GmbH & Co. KG ©