

# Tangential fan

QLK45



- **Electrical connection:** Flat plug 3.6 x 0.8
- **Installation orientation:** Horizontal or vertical with motor below
- **Motor position:** Right

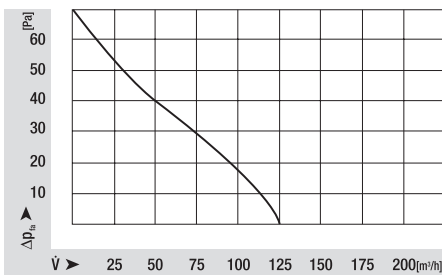
## Nominal data

Type	Motor	Voltage VAC	Frequency Hz	Air flow m <sup>3</sup> /h	Speed 1/min	Power consumption W	Current draw A	Ambient temperature °C	Weight kg
QLK45/1800-2518L	--	230	50	125	2350	26	245	0 .. 60	0.85

Subject to modification

All data measured with recirculation (air outlet h2)

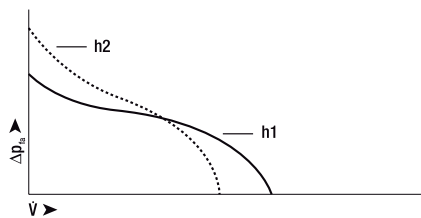
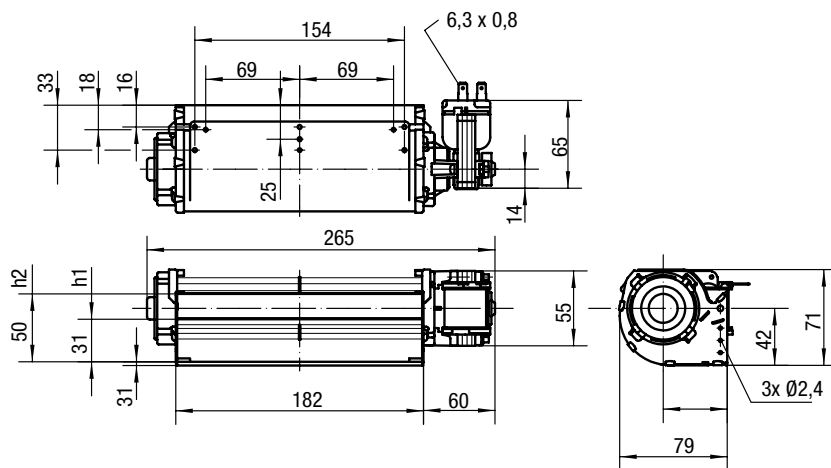
## Characteristic: Pressure over air flow



# Tangential fan

QLK45

## Specific drawing



Air outlet h1 = without recirculation

Air outlet h2 = with recirculation

## Technical description

- **Electrical connection:** Flat plug 3.6 x 0.8
- **Motor position:** Right

- **Installation orientation:** Horizontal or vertical with motor below
- **Insulation class:** "B" F or H also available on request

## Contact

### ebm-papst Landshut GmbH

Hofmark-Aich-Straße 25  
D-84030 Landshut  
Phone +49 (0) 871 / 707-0  
Fax +49 (0) 871 / 707-465  
info3@de.ebmpapst.com  
www.ebmpapst.com