

Mini Jack (Surface Mount Type)


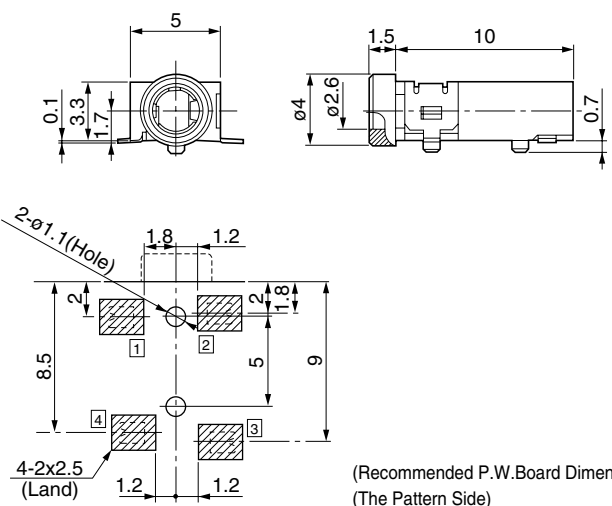
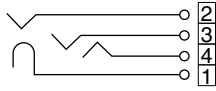
Features

1. A surface mount type jack designed for small portable devices.
2. Many options are available including light weight LGK1709-1601 weighing 0.27g only, PWB space-saving LGK2002-0201 and LGK2009-0201/-0301, low profile LGK1503-0301/-0501 and LGK1509-0101, and LGK1709-0101 and LGK2509-0101 which have one additional pole.
3. Also included in this series is a version resistant to force applied in an undesirable direction, by featuring the frame working also as the sleeve spring.

Applications


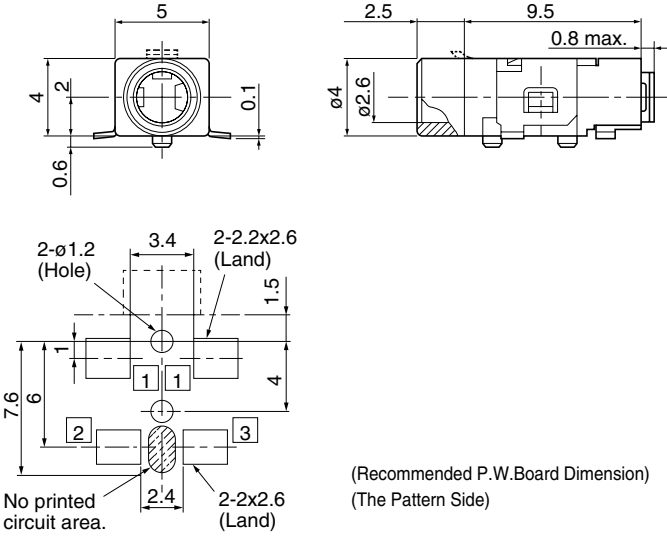
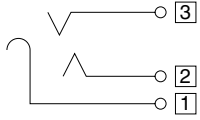

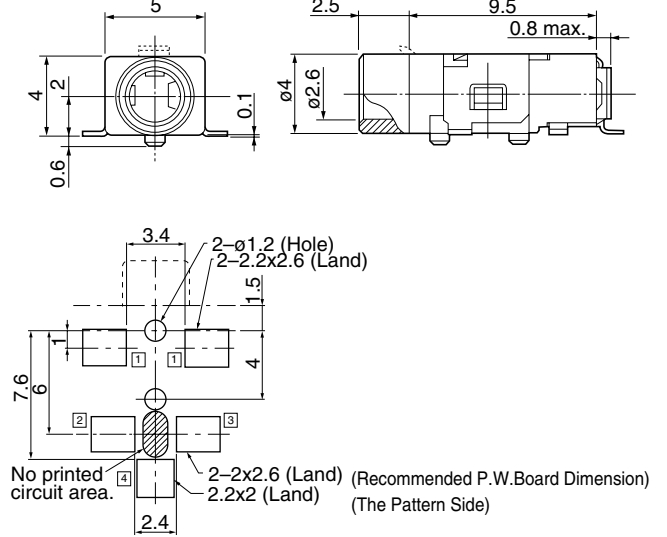
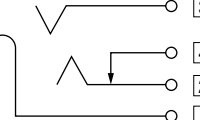

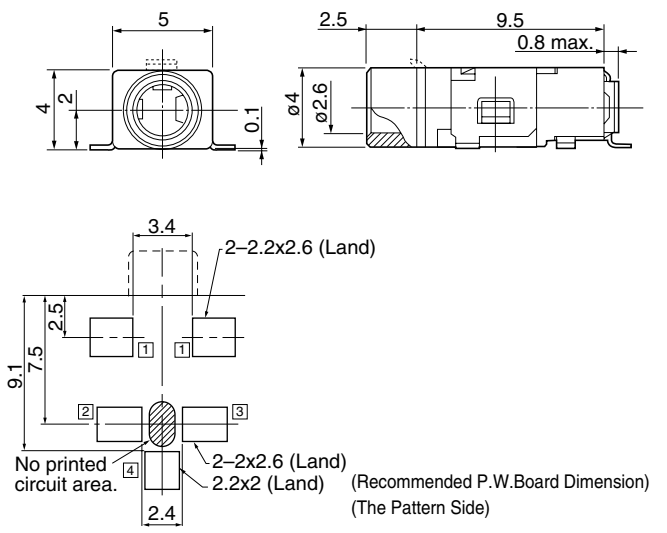
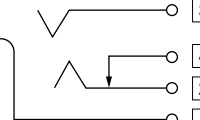
Cellular and PHS phones, PDA, digital still cameras, etc.

2.5mm Dia. Jack


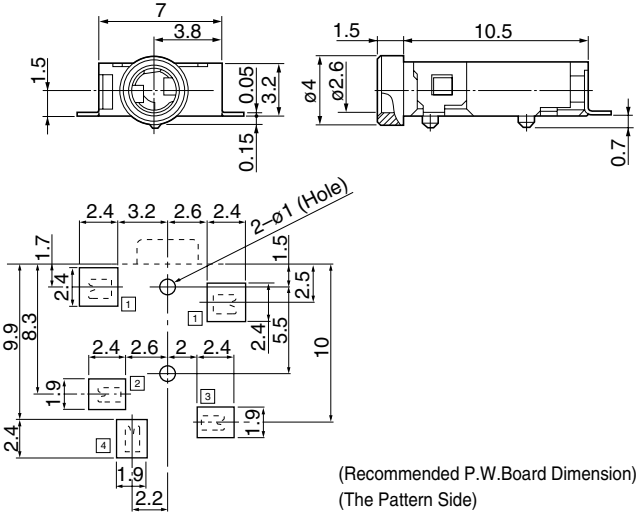
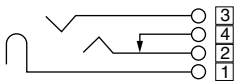

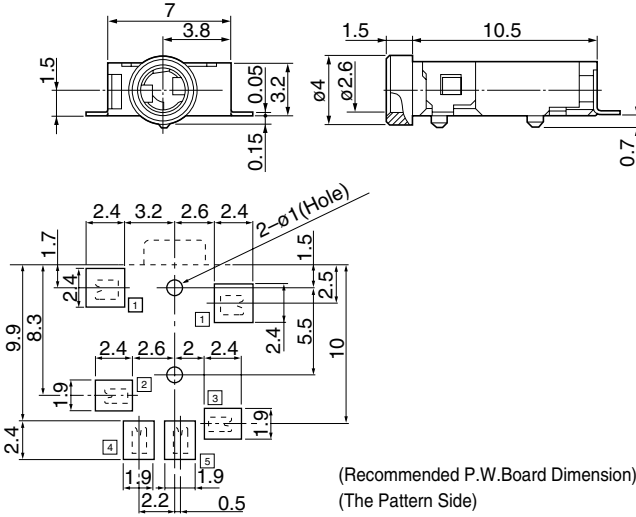
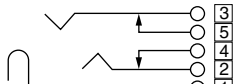

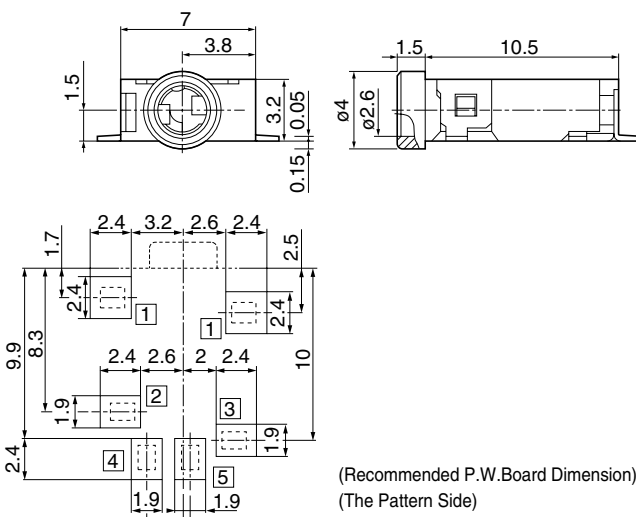
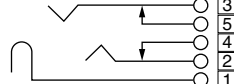
<p style="text-align: center;">LGK1709-1601 (3 POLE)</p>  <p style="text-align: center;">Type-M</p>	 <p style="text-align: center;">(Recommended P.W.Board Dimension) (The Pattern Side)</p> <p style="text-align: center;">(1,000pcs/reel)</p>	<p style="text-align: center;">Circuits</p> 
<p style="text-align: center;">SMD Type</p>		

2.5mm Dia. Jack

MINI JACKS

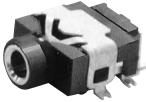
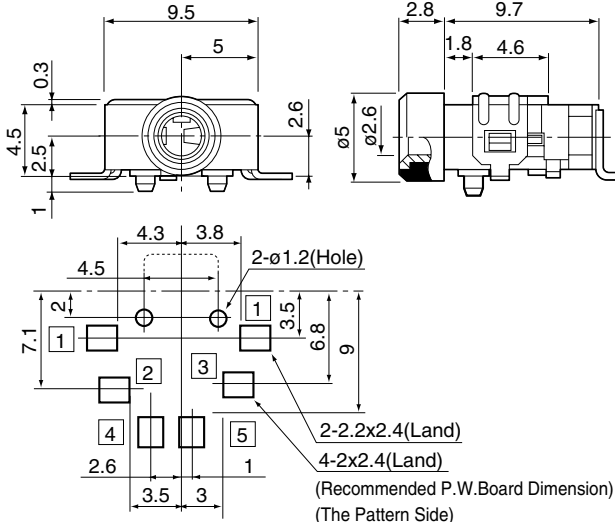
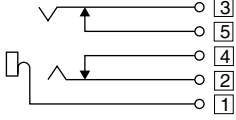

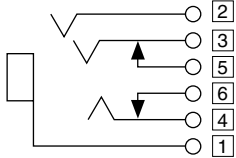

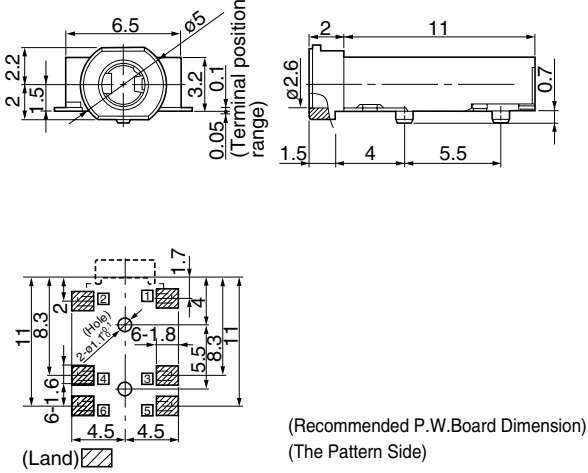
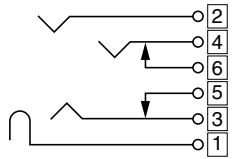
<p>LGK2002-0201 (3 POLE)</p> 	 <p>(Recommended P.W.Board Dimension) (The Pattern Side)</p>	<p>Circuits</p> 
<p>SMD Type</p>	<p>(1,000pcs/reel)</p>	
<p>LGK2009-0201 (3 POLE)</p> 	 <p>(Recommended P.W.Board Dimension) (The Pattern Side)</p>	<p>Circuits</p> 
<p>SMD Type</p>	<p>(1,000pcs/reel)</p>	
<p>LGK2009-0301 (3 POLE)</p> 	 <p>(Recommended P.W.Board Dimension) (The Pattern Side)</p>	<p>Circuits</p> 
<p>SMD Type</p>	<p>(1,000pcs/reel)</p>	

2.5mm Dia. Jack


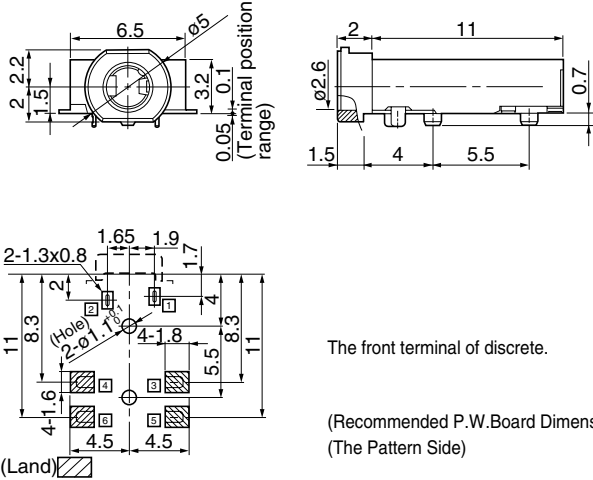
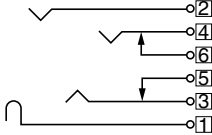
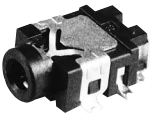
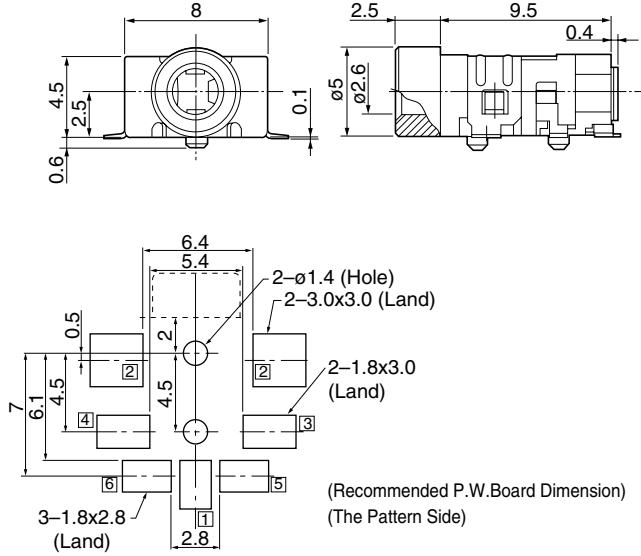
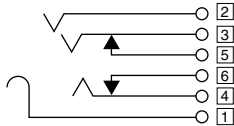
<p>LGK1509-0101 (3 POLE)</p> 	 <p>(Recommended P.W.Board Dimension) (The Pattern Side)</p> <p>(1,000pcs/reel)</p>	<p>Circuits</p> 
<p>SMD Type</p>		
<p>LGK1503-0301 (3 POLE)</p>		
<p>(3 POLE)</p> 	 <p>(Recommended P.W.Board Dimension) (The Pattern Side)</p> <p>(1,000pcs/reel)</p>	<p>Circuits</p> 
<p>SMD Type</p>		
<p>LGK1503-0501 (3 POLE)</p>		
<p>(3 POLE)</p> 	 <p>(Recommended P.W.Board Dimension) (The Pattern Side)</p> <p>(1,000pcs/reel)</p>	<p>Circuits</p> 
<p>SMD Type</p>		

2.5mm Dia. Jack

MINI JACKS

<p>LGK2513-1101</p> <p>(3 POLE)</p> 	 <p>(500pcs/reel)</p>	<p>Circuits</p> 
<p>SMD Type</p>	<p>LGK1709-0101</p> <p>(4 POLE)</p> 	<p>Circuits</p> 
<p>LGK1509-0901F</p> <p>(4 POLE)</p> 	 <p>(1,000pcs/reel)</p>	<p>Circuits</p> 
<p>SMD Type</p>	<p>(Recommended P.W.Board Dimension) (The Pattern Side)</p>	<p>(Recommended P.W.Board Dimension) (The Pattern Side)</p>

2.5mm Dia. Jack

<p>LGK1509-1001F (4 POLE)</p> 	 <p>The front terminal of discrete.</p> <p>(Recommended P.W.Board Dimension) (The Pattern Side)</p>	<p>Circuits</p> 
<p>SMD Type</p>		
<p>LGK2509-0101 (4 POLE)</p> 	 <p>(Recommended P.W.Board Dimension) (The Pattern Side)</p> <p>(500pcs/reel)</p>	<p>Circuits</p> 
<p>SMD Type</p>		