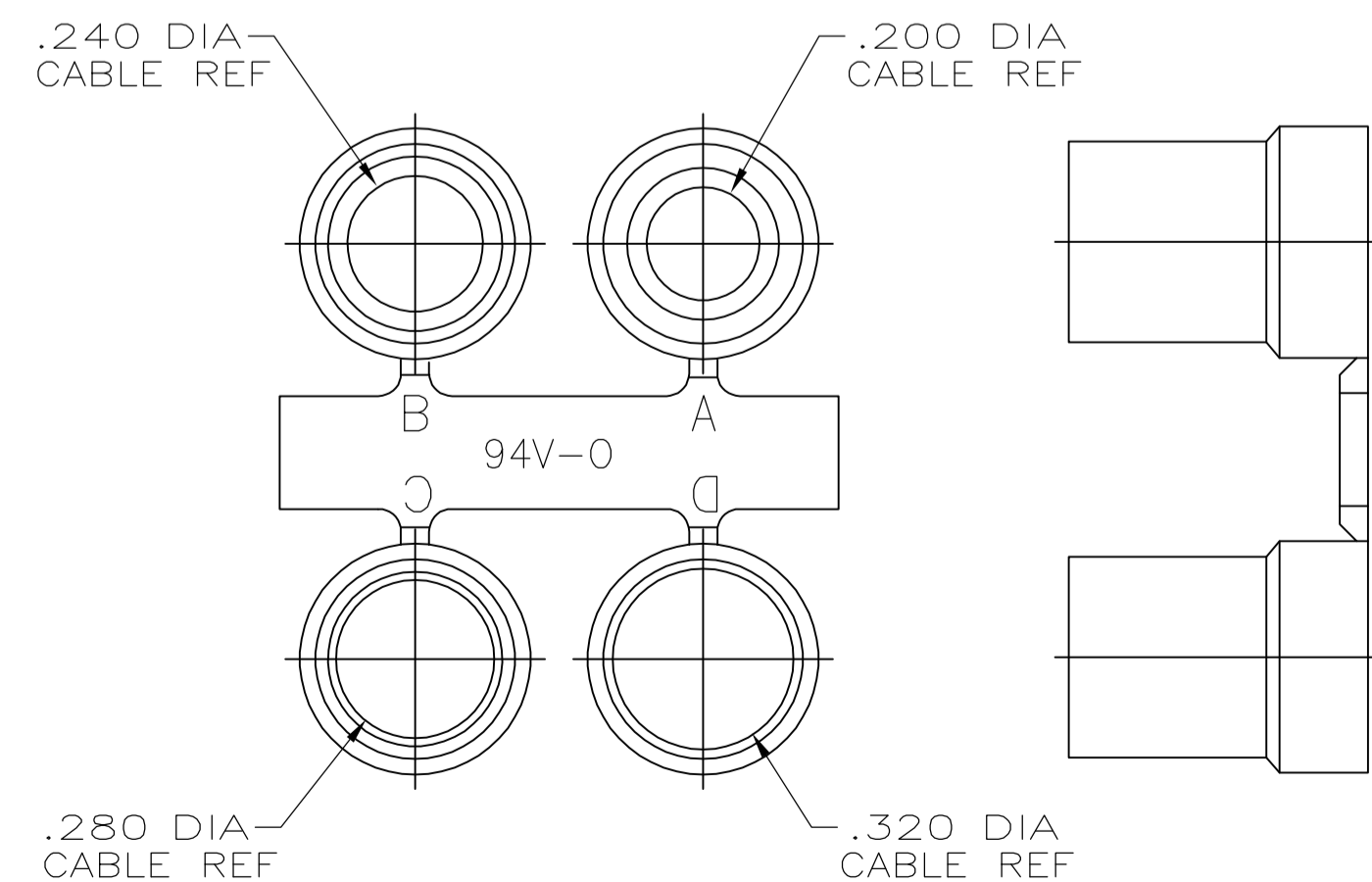
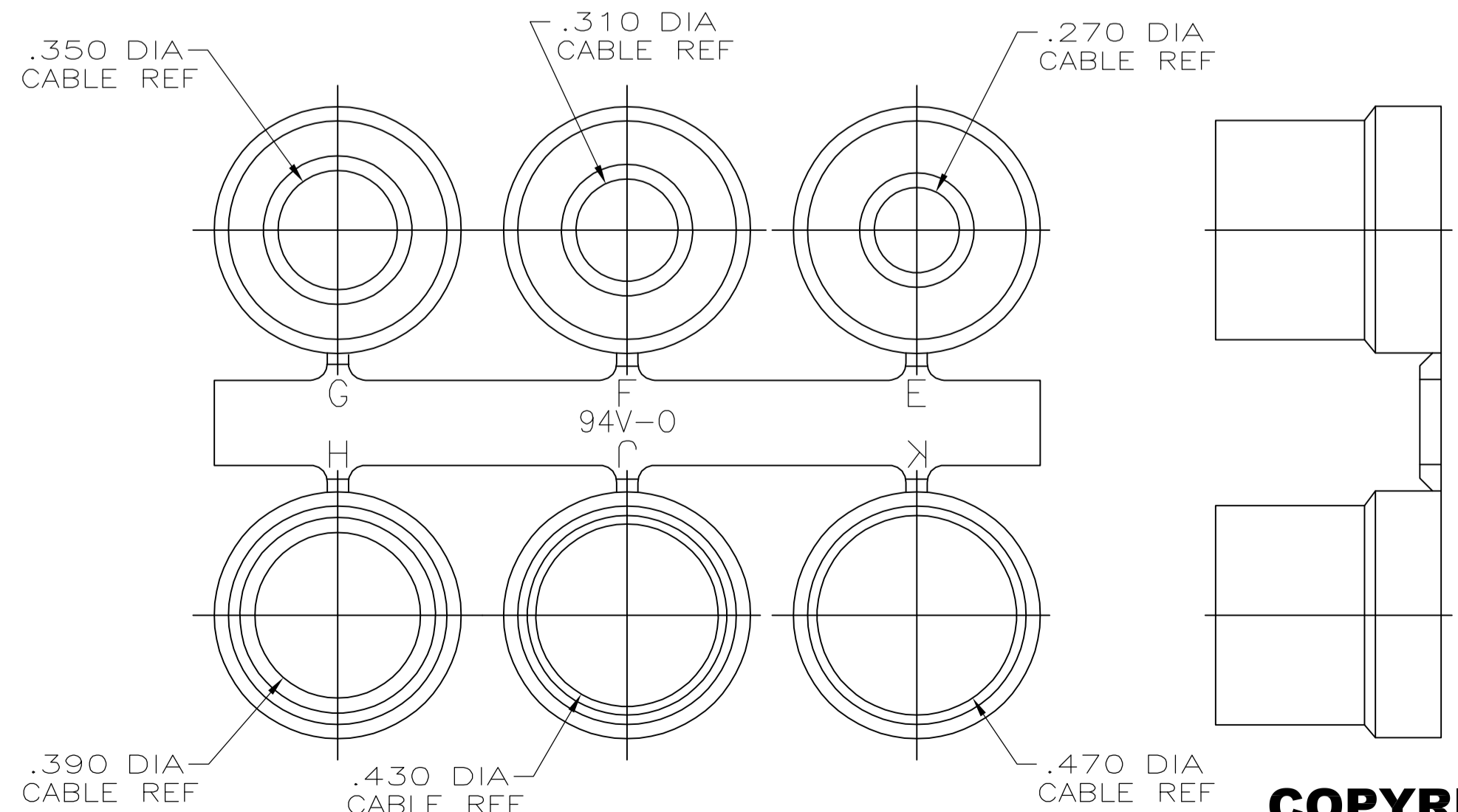


- PARTS PACKAGED UNASSEMBLED AS A UNIT KIT.
- CABLE CLAMP HALVES: ZINC ALLOY, FILLISTER HEAD SCREWS, HEX NUTS & MOUNTING SCREWS: STEEL  
GROMMETS: FLEXIBLE PVC, UL 94V-0 RATED, COLOR: BLACK.
- CABLE CLAMP HALVES: NICKEL OVER COPPER, FILLISTER HEAD SCREWS, HEX NUTS & MOUNTING SCREWS: ZINC PLATED .000200-.000400 THICK, CLEAR CHROMATE COATING.



GROMMET ASSORTMENT FOR SIZES 1 & 2 ONLY



GROMMET ASSORTMENT FOR SIZES 3, 4 & 5 ONLY

BULK PACK	.680	.620	2.090	1.920	1.852	3	5748676-9
STANDARD	.900	.730	2.644	1.920	2.406	5	5748676-5
STANDARD	.800	.620	2.738	1.920	2.500	4	5748676-4
STANDARD	.680	.620	2.090	1.920	1.852	3	5748676-3
STANDARD	.620	.620	1.545	1.910	1.312	2	5748676-2
STANDARD	.550	.620	1.215	1.910	.984	1	5748676-1
PACKAGING	E	D	C	B	A	SIZE	PART NO.

**COPYRIGHT 2005  
 TYCO ELECTRONICS CORP  
 ALL RIGHTS RESERVED**

THIS DRAWING IS A CONTROLLED DOCUMENT.

DIMENSIONS: INCHES	TOLERANCES UNLESS OTHERWISE SPECIFIED:	DIN D. HENNY 8-17-05		Tyco Electronics Corporation Harrisburg, Pa 17105-3608
0 PLC ± -	1 PLC ± -	CHK C. ROHDE 8-17-05		NAME
2 PLC ± -	3 PLC ± -	APP'D M. WALMSLEY 8-17-05	PRODUCT SPEC	KIT, CABLE CLAMP, 180° EXIT, W/GROMMETS, AMPLIMITE SERIES
4 PLC ± -	ANGLES ± -		APPLICATION SPEC	
MATERIAL	FINISH		WEIGHT	SIZE CAGE CODE DRAWING NO
				A1 00779 C=5748676
			CUSTOMER DRAWING	RESTRICTED TO
			SCALE 1:1	SHEET 1 OF 1 REV 0